

# Docking Drawer®

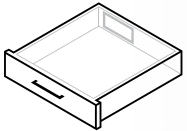
Blade Series Mounting Diagrams

15 amp & 20 amp



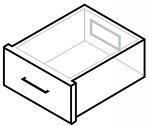
# Choose Your Drawer Box

3



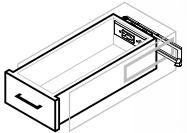
Shallow Drawer  
Blade Duo  
Blade

11



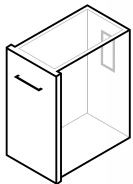
Tall Drawer  
Blade Duo  
Blade

19



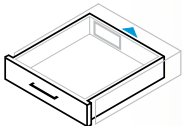
Narrow Drawer  
Blade

33



Vertical Drawer  
Blade Duo  
Blade

40



Minimal Space Behind the Drawer  
Box Installation Techniques

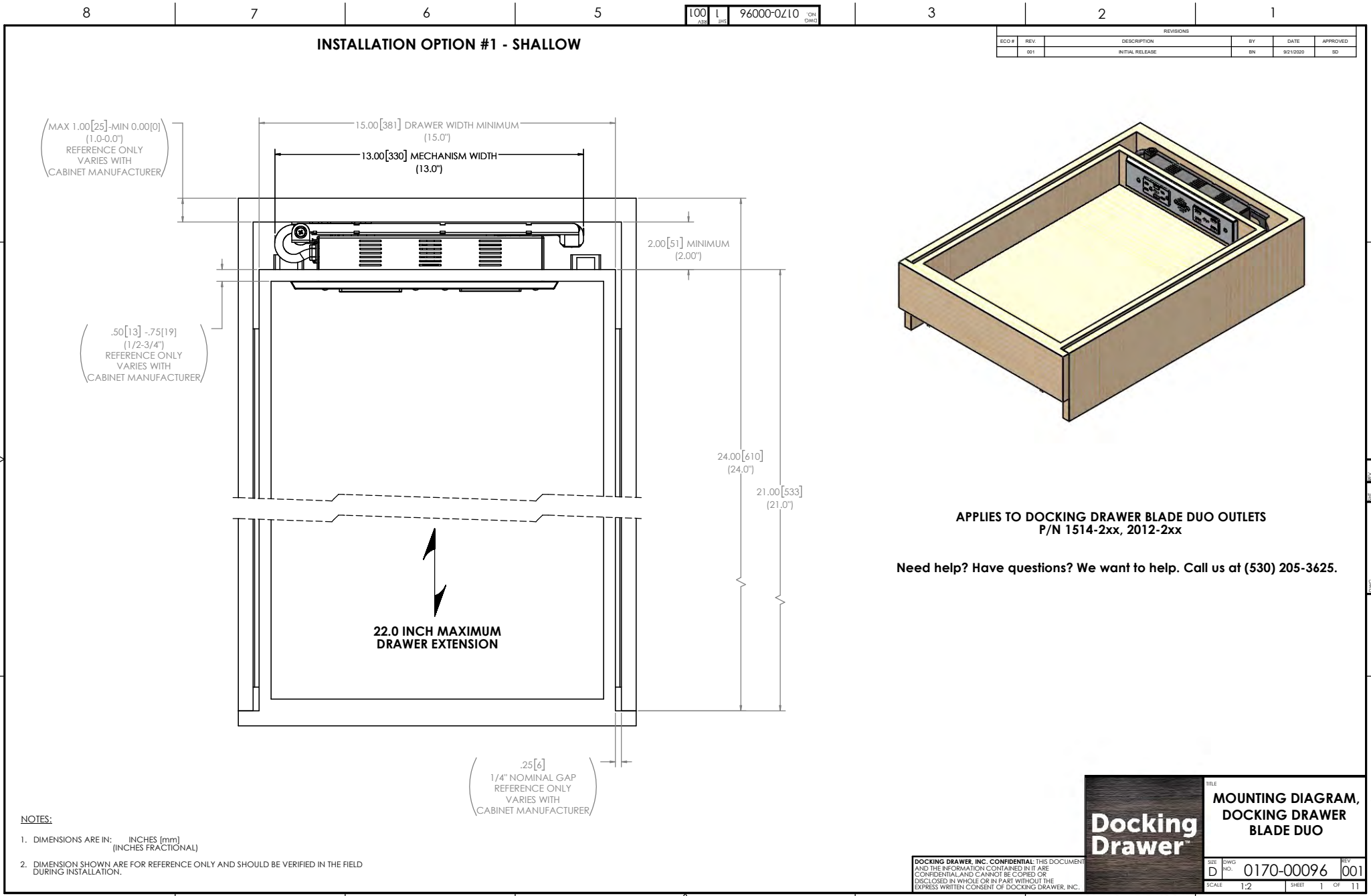
42

Additional Options

Blade Duo X30 for Deep Cabinets  
Blade X30 for Deep Cabinets



# Blade Duo for Shallow Drawers

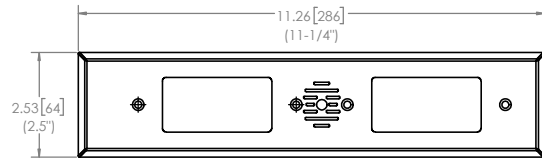


**MOUNTING DIAGRAM,  
DOCKING DRAWER  
BLADE DUO**

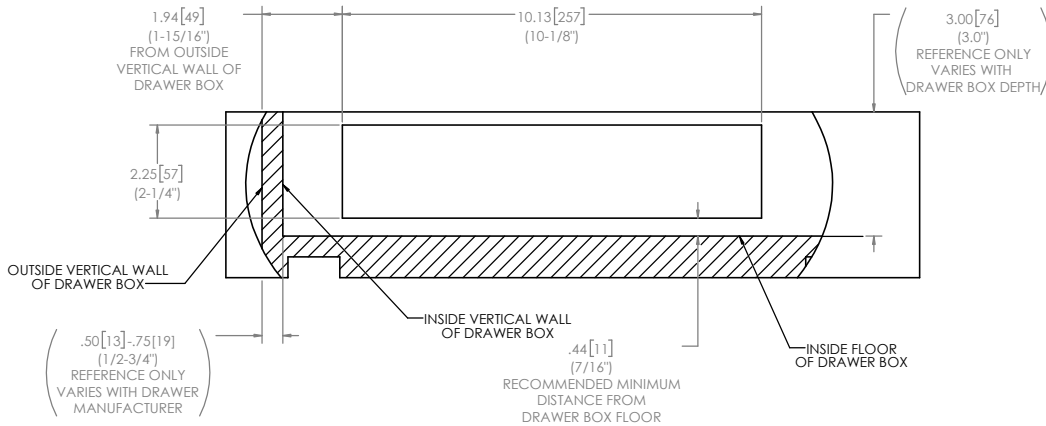
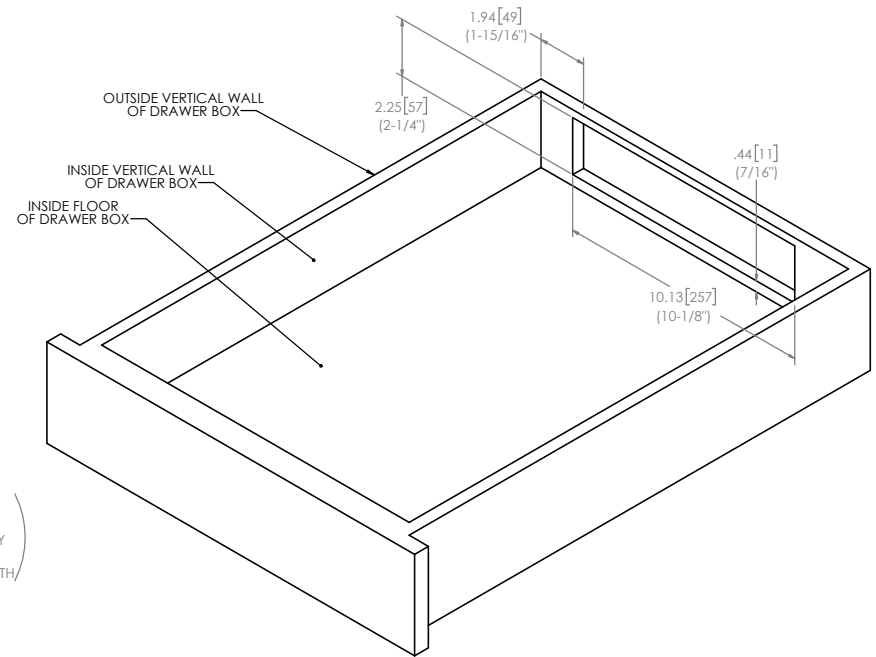
SIZE: D DWG: 0170-00096 REV: 001  
SCALE: 1:2 SHEET: 1 OF 11

# Blade Duo for Shallow Drawers

100 2 96000-02/10 100 2 96000-02/10 100 2 96000-02/10



**OUTLET COVER PLATE DIMENSIONS**



**INSTALLATION OPTION #1 - SHALLOW**

**RECEPTACLE BOX CUTOUT LOCATION  
(VIEW FROM FRONT FACE OF DRAWER)**

**NOTES:**

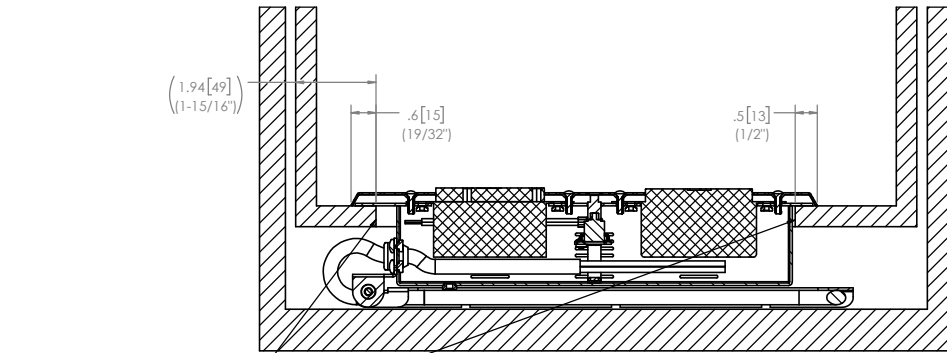
1. DIMENSIONS ARE IN: INCHES [mm] (INCHES FRACTIONAL)
2. DIMENSION SHOWN ARE FOR REFERENCE ONLY AND SHOULD BE VERIFIED IN THE FIELD DURING INSTALLATION.

DOCKING DRAWER, INC. CONFIDENTIAL THIS DOCUMENT AND THE INFORMATION CONTAINED IN IT ARE CONFIDENTIAL AND CANNOT BE COPIED OR DISCLOSED IN WHOLE OR IN PART WITHOUT THE EXPRESS WRITTEN CONSENT OF DOCKING DRAWER, INC. SIZE DWG INC. 0170-00096 001 SCALE 1:2 SHEET 2 OF 11

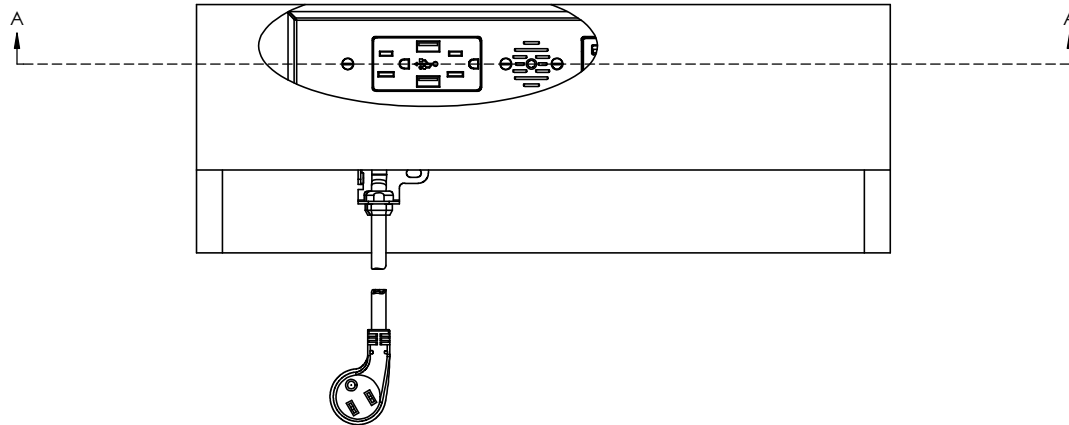
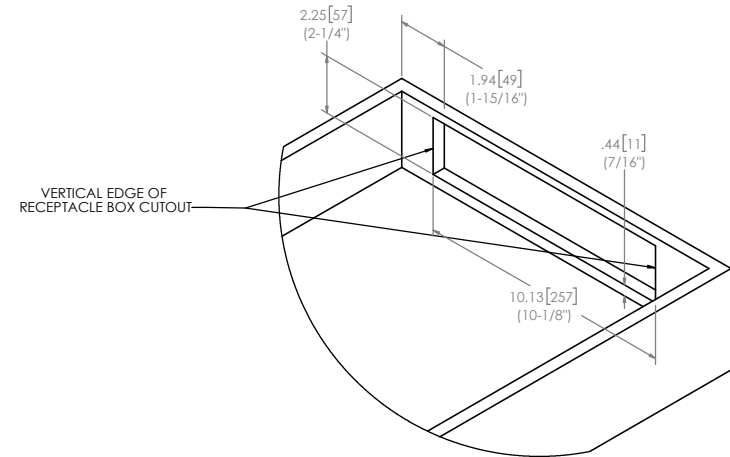
# Blade Duo for Shallow Drawers

100 8 96000-0210 CR DWG

## INSTALLATION OPTION #1 - SHALLOW



SECTION A-A  
SCALE 1 : 1.5

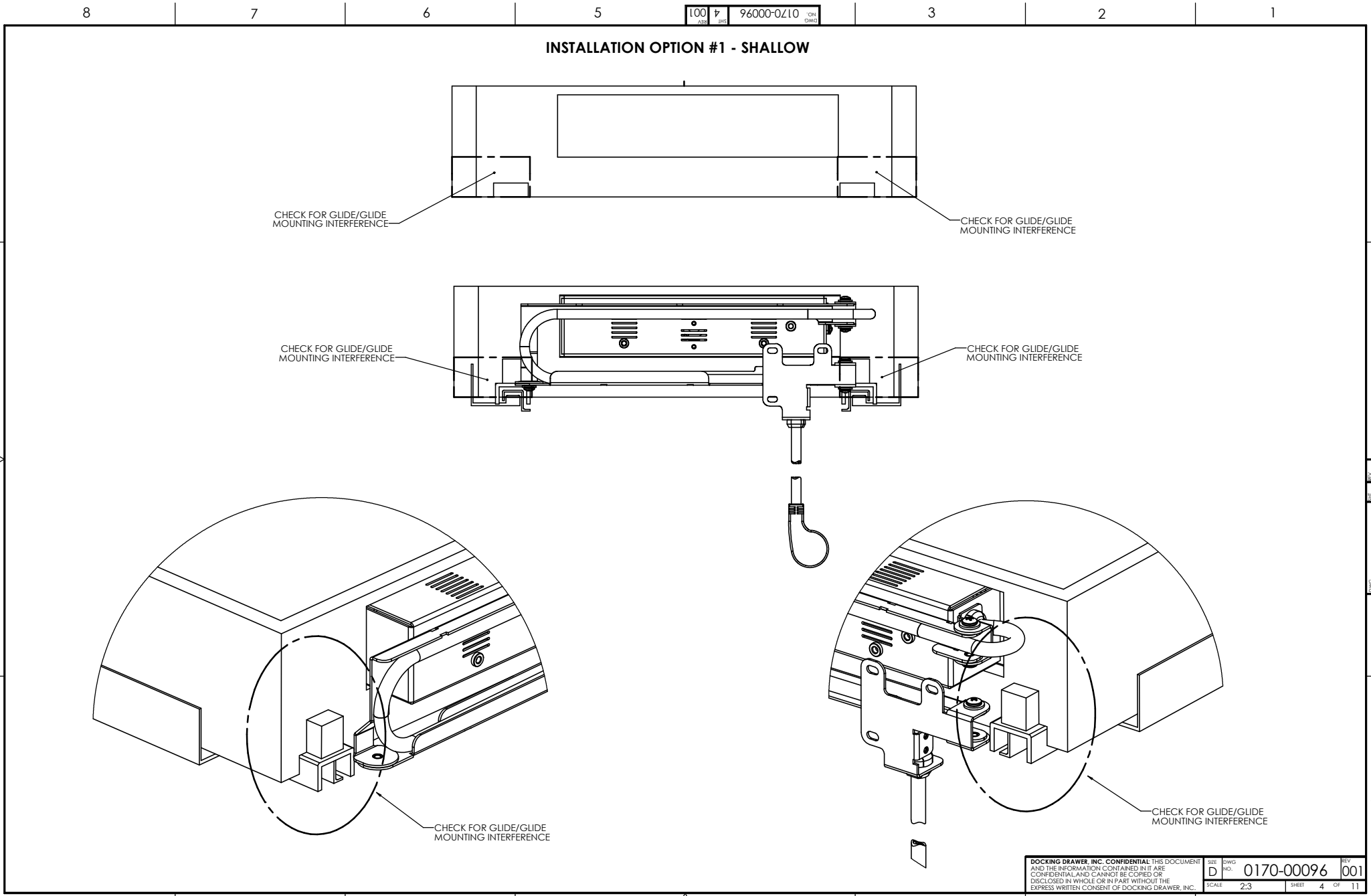


JTECH SOLUTIONS, INC. CONFIDENTIAL: THIS DOCUMENT AND THE INFORMATION CONTAINED HEREIN ARE CONFIDENTIAL AND CANNOT BE COPIED OR DISCLOSED IN WHOLE OR IN PART WITHOUT THE EXPRESS WRITTEN CONSENT OF JTECH SOLUTIONS, INC.

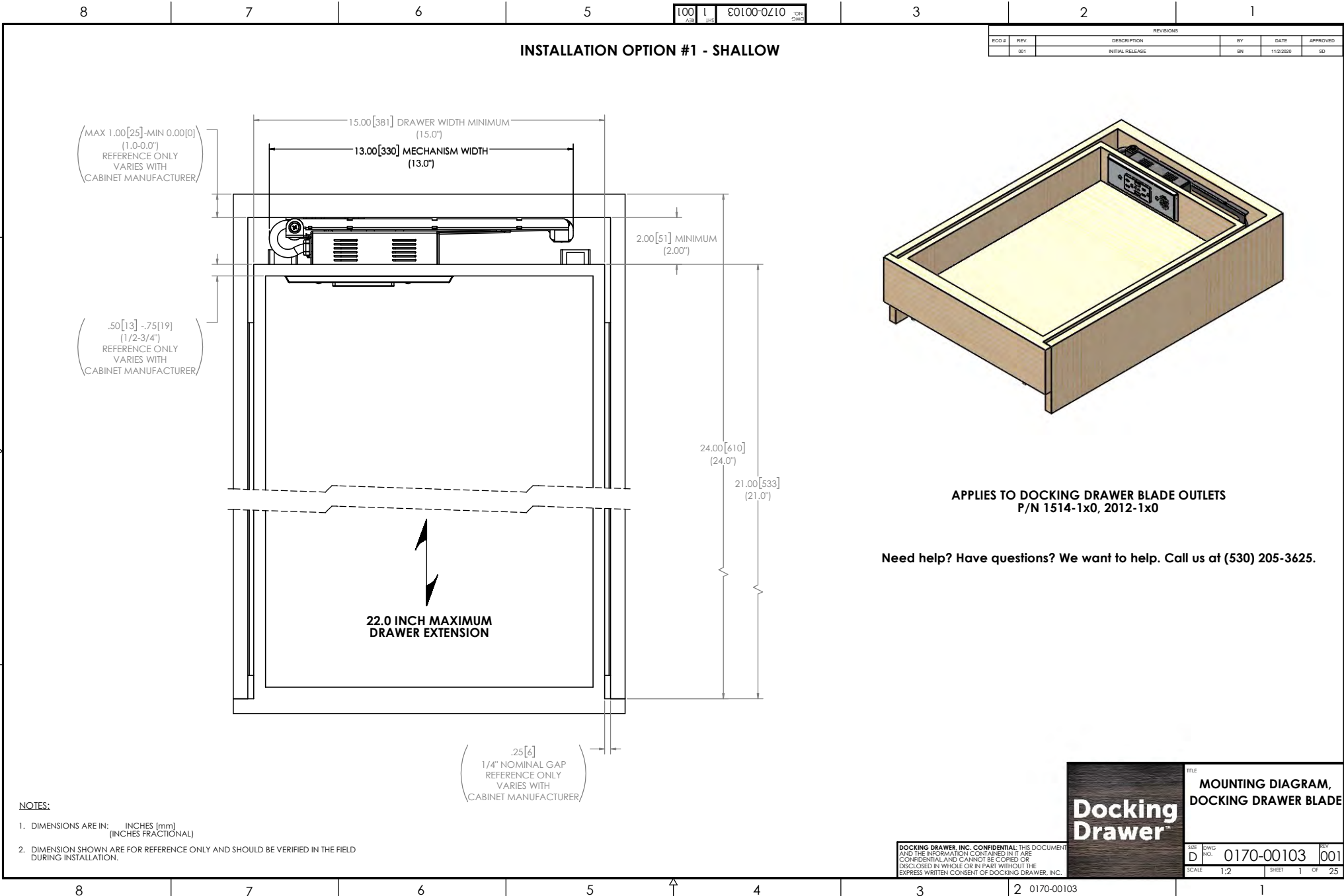
SIZE	D	DWG NO.	0170-00096	REV.	001
SCALE	1:4	SHEET	3	OF	11

DWG NO. 0170-00096 SHEET 3 OF 11

# Blade Duo for Shallow Drawers

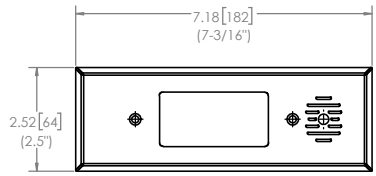


# Blade for Shallow Drawers

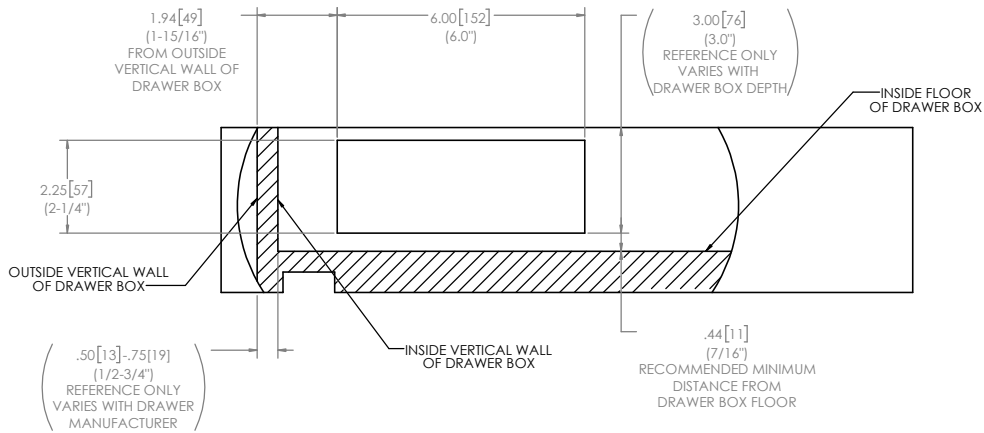
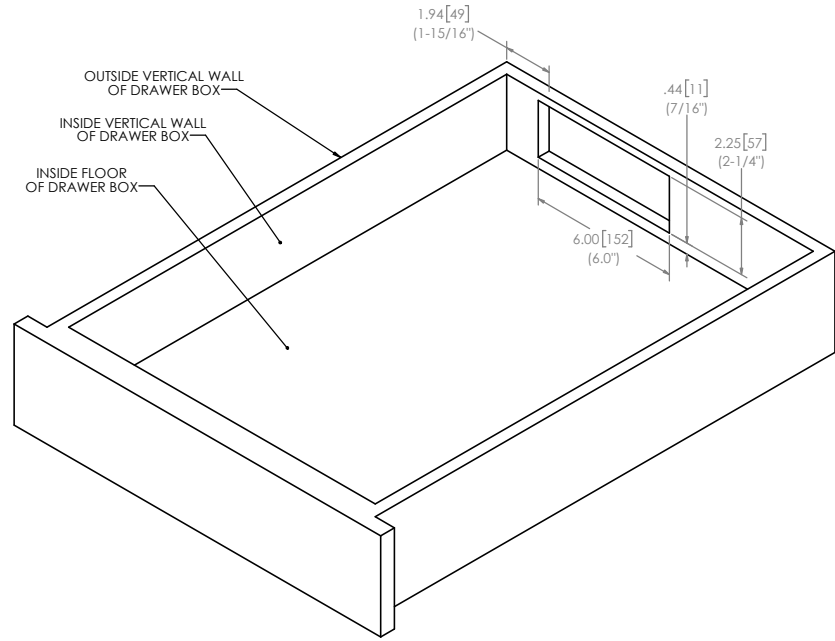


# Blade for Shallow Drawers

100 2 0170-00103 DWG



**OUTLET COVER PLATE DIMENSIONS**



**INSTALLATION OPTION #1 - SHALLOW**

**RECEPTACLE BOX CUTOUT LOCATION  
(VIEW FROM FRONT FACE OF DRAWER)**

**NOTES:**

1. DIMENSIONS ARE IN: INCHES (mm)  
(INCHES FRACTIONAL)
2. DIMENSION SHOWN ARE FOR REFERENCE ONLY AND SHOULD BE VERIFIED IN THE FIELD DURING INSTALLATION.

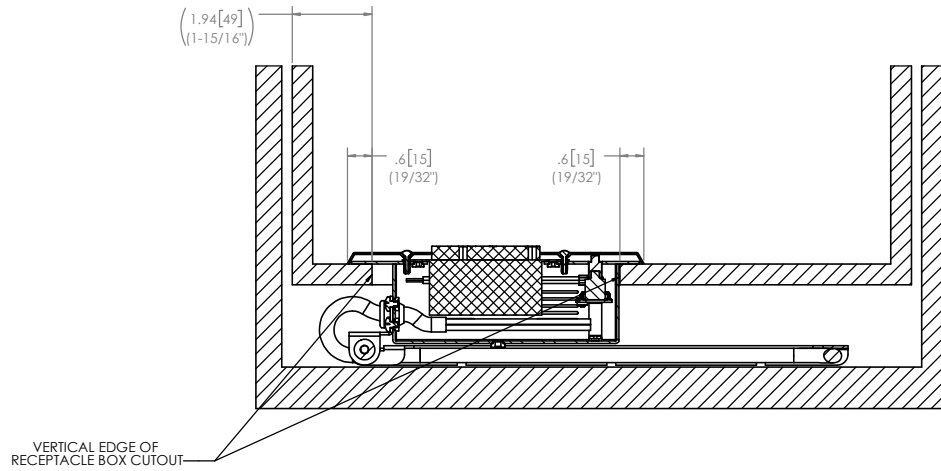
DOCKING DRAWER, INC. CONFIDENTIAL THIS DOCUMENT AND THE INFORMATION CONTAINED IN IT ARE CONFIDENTIAL AND CANNOT BE COPIED OR DISCLOSED IN WHOLE OR IN PART WITHOUT THE EXPRESS WRITTEN CONSENT OF DOCKING DRAWER, INC.		SIZE: DWG NO. <b>0170-00103</b>	REV: <b>001</b>
SCALE: 1:2	SHEET: 2	OF: 25	



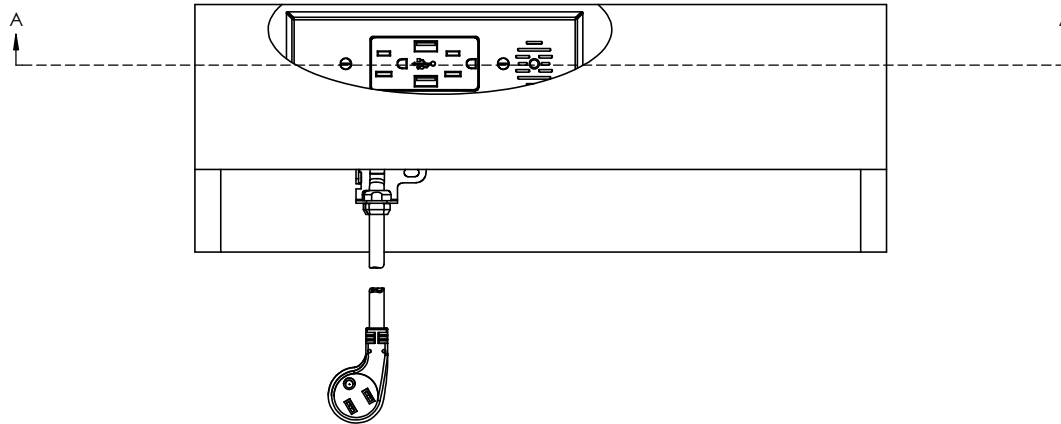
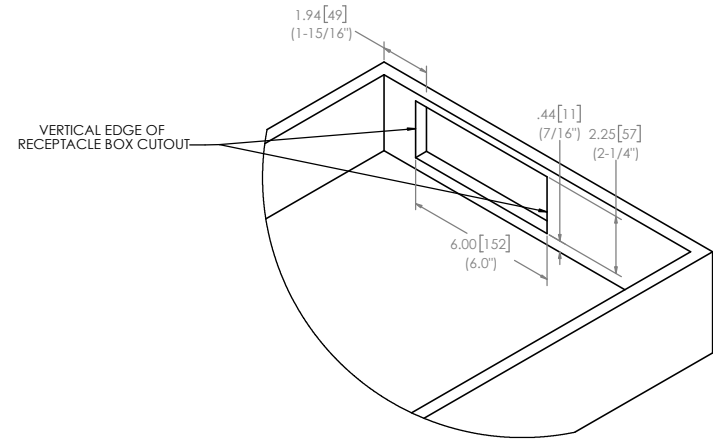
# Blade for Shallow Drawers

100 8 0170-0010 DWG  
A38 145

## INSTALLATION OPTION #1 - SHALLOW



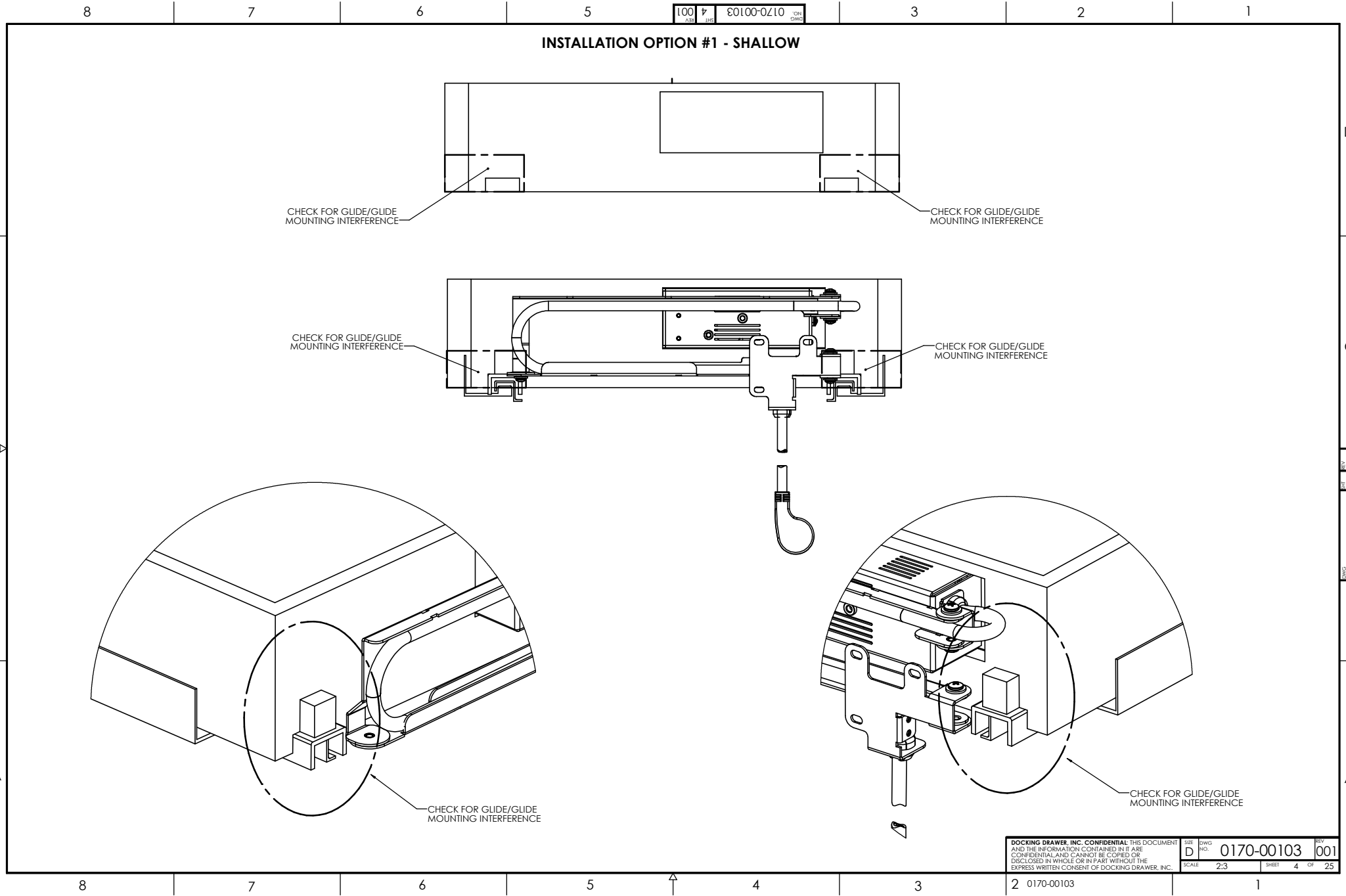
SECTION A-A  
SCALE 1 : 1.5



JTECH SOLUTIONS, INC CONFIDENTIAL: THIS DOCUMENT AND THE INFORMATION CONTAINED IN IT ARE CONFIDENTIAL AND CANNOT BE COPIED OR DISCLOSED IN WHOLE OR IN PART WITHOUT THE EXPRESS WRITTEN CONSENT OF JTECH SOLUTIONS, INC.		SIZE: DWG NO. <b>0170-00103</b>	REV: <b>001</b>
SCALE: 1:4	SHEET: 3	OF: 25	

DWG NO. 0170-00103  
 SHEET 3 OF 25

# Blade for Shallow Drawers



DWG NO. 0170-00103  
 REV. 4  
 001

DOCKING DRAWER, INC. CONFIDENTIAL THIS DOCUMENT AND THE INFORMATION CONTAINED IN IT ARE CONFIDENTIAL AND CANNOT BE COPIED OR DISCLOSED IN WHOLE OR IN PART WITHOUT THE EXPRESS WRITTEN CONSENT OF DOCKING DRAWER, INC.		SIZE: DWG NO. <b>0170-00103</b> REV. <b>001</b> SCALE: 2:3 SHEET 4 OF 25
--	--	---

# Blade Duo for Tall Drawers

100 S 96000-0210  
ABS DHS CR DWG

## INSTALLATION OPTION #2 - TALL - ABOVE GLIDE MOUNTING

(MAX 1.00[25]-MIN 0.00[0]  
 (1.0-0.0")  
 REFERENCE ONLY  
 VARIES WITH  
 CABINET MANUFACTURER)

13.00[330] DRAWER WIDTH MINIMUM  
 (13.0")  
 13.00[330] MECHANISM WIDTH  
 (13.0")

2.00[51] MINIMUM  
 (2.0")

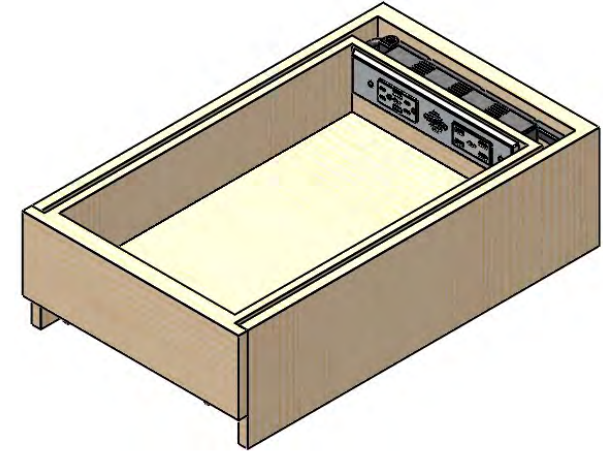
(.50[13]-.75[19]  
 (1/2-3/4")  
 REFERENCE ONLY  
 VARIES WITH  
 CABINET MANUFACTURER)

24.00[610]  
 (24.0")

21.00[533]  
 (21.0")

22.0 INCH MAXIMUM  
 DRAWER EXTENSION

(.25[6]  
 1/4" NOMINAL GAP  
 REFERENCE ONLY  
 VARIES WITH  
 CABINET MANUFACTURER)



APPLIES TO DOCKING DRAWER BLADE DUO OUTLETS  
 P/N 1514-2xx, 2012-2xx

Need help? Have questions? We want to help. Call us at (530) 205-3625.

**NOTES:**

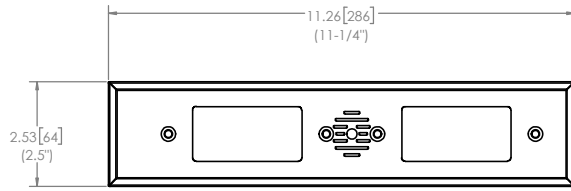
1. DIMENSIONS ARE IN: INCHES [mm]  
 (INCHES FRACTIONAL)
2. DIMENSION SHOWN ARE FOR REFERENCE ONLY AND SHOULD BE VERIFIED IN THE FIELD  
 DURING INSTALLATION.

<b>Docking Drawer™</b>	TITLE <b>MOUNTING DIAGRAM, DOCKING DRAWER BLADE DUO</b>	
	SIZE DWG D INC. 0170-00096	REV 001
SCALE 1:2		SHEET 5 OF 11

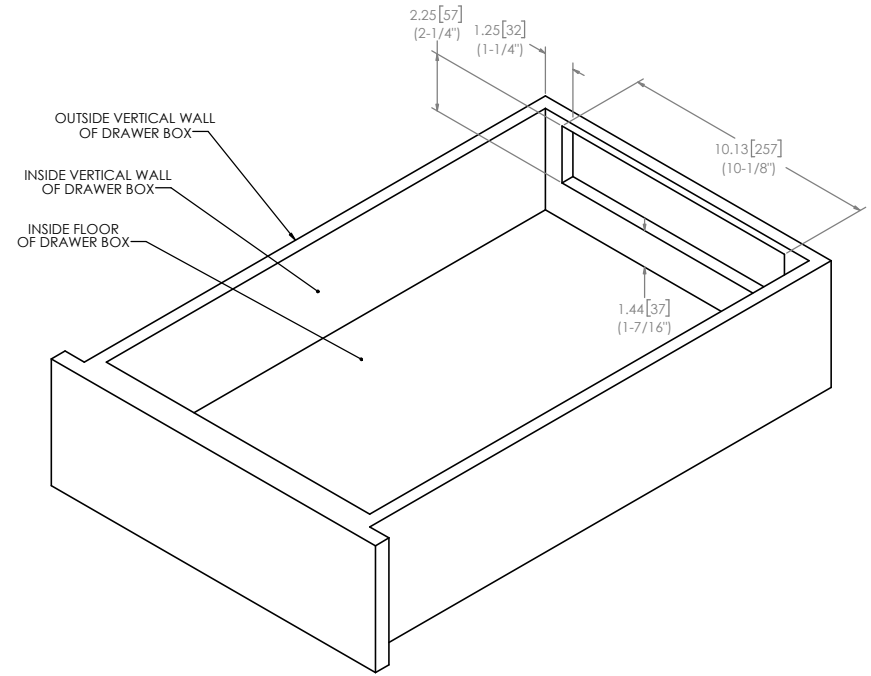
DOCKING DRAWER, INC. CONFIDENTIAL THIS DOCUMENT  
 AND THE INFORMATION CONTAINED IN IT ARE  
 CONFIDENTIAL AND CANNOT BE COPIED OR  
 DISCLOSED IN WHOLE OR IN PART WITHOUT THE  
 EXPRESS WRITTEN CONSENT OF DOCKING DRAWER, INC.

# Blade Duo for Tall Drawers

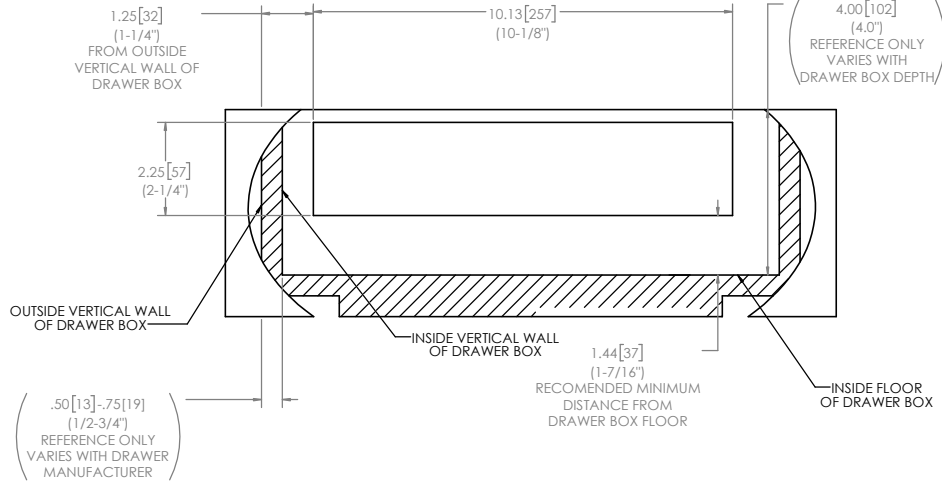
100 9 96000-0210  
ASB BHS CR DWG



**OUTLET COVER PLATE DIMENSIONS**



OUTSIDE VERTICAL WALL OF DRAWER BOX  
 INSIDE VERTICAL WALL OF DRAWER BOX  
 INSIDE FLOOR OF DRAWER BOX



**INSTALLATION OPTION #2 - TALL - ABOVE GLIDE MOUNTING**

**RECEPTACLE BOX CUTOFF LOCATION  
 (VIEW FROM FRONT FACE OF DRAWER)**

**NOTES:**

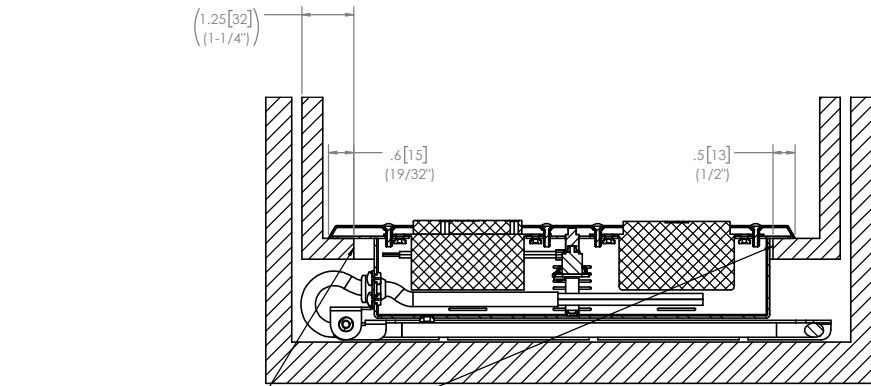
1. DIMENSIONS ARE IN: INCHES [mm]  
 (INCHES FRACTIONAL)
2. DIMENSION SHOWN ARE FOR REFERENCE ONLY AND SHOULD BE VERIFIED IN THE FIELD DURING INSTALLATION.

DOCKING DRAWER, INC. CONFIDENTIAL THIS DOCUMENT AND THE INFORMATION CONTAINED IN IT ARE CONFIDENTIAL AND CANNOT BE COPIED OR DISCLOSED IN WHOLE OR IN PART WITHOUT THE EXPRESS WRITTEN CONSENT OF DOCKING DRAWER, INC.  
 SIZE DWG INC. 0170-00096 001  
 SCALE 1:2 SHEET 6 OF 11

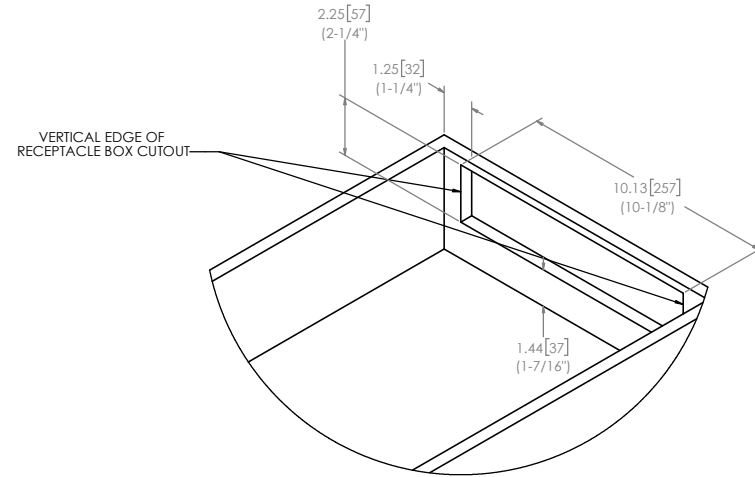
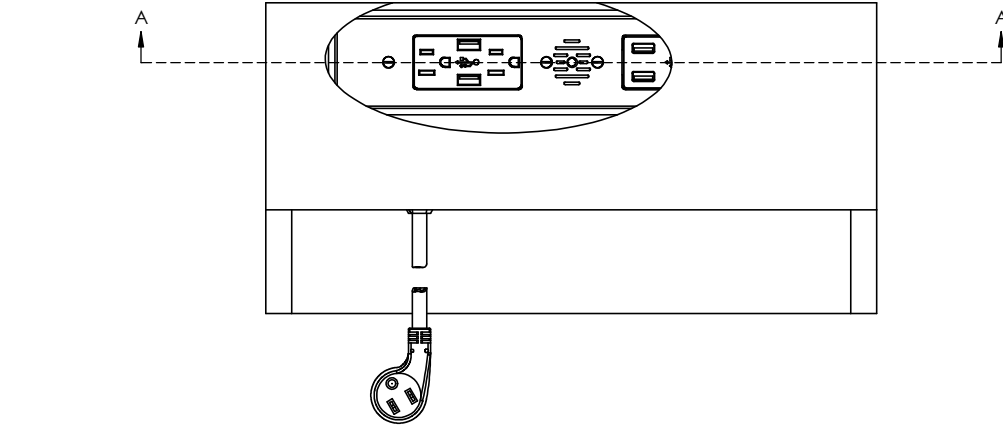
# Blade Duo for Tall Drawers

100 Z 96000-0210 CR DWG

## INSTALLATION OPTION #2 - TALL - ABOVE GLIDE MOUNTING



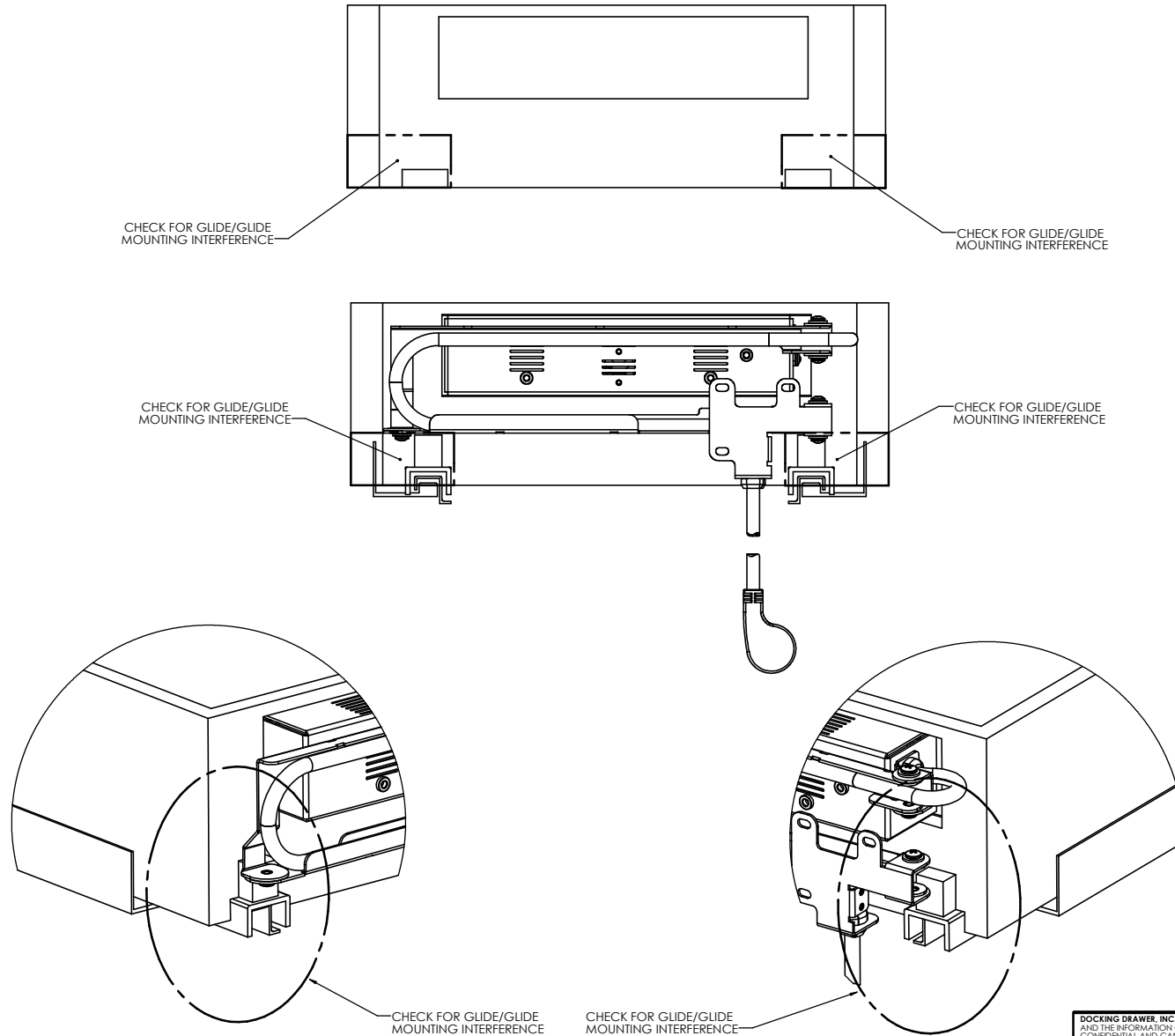
SECTION A-A  
SCALE 1 : 1.5



<small>JTECH SOLUTIONS, INC. CONFIDENTIAL: THIS DOCUMENT AND THE INFORMATION CONTAINED IN IT ARE CONFIDENTIAL AND CANNOT BE COPIED OR DISCLOSED IN WHOLE OR IN PART WITHOUT THE EXPRESS WRITTEN CONSENT OF JTECH SOLUTIONS, INC.</small>		<small>SIZE DWG INC.</small> <b>D 0170-00096</b>	<small>REV</small> <b>001</b>
<small>SCALE</small> 1:4		<small>SHEET</small> 7	<small>OF</small> 11

8 | 7 | 6 | 5 | 100 8 96000-02/10 3 | 2 | 1

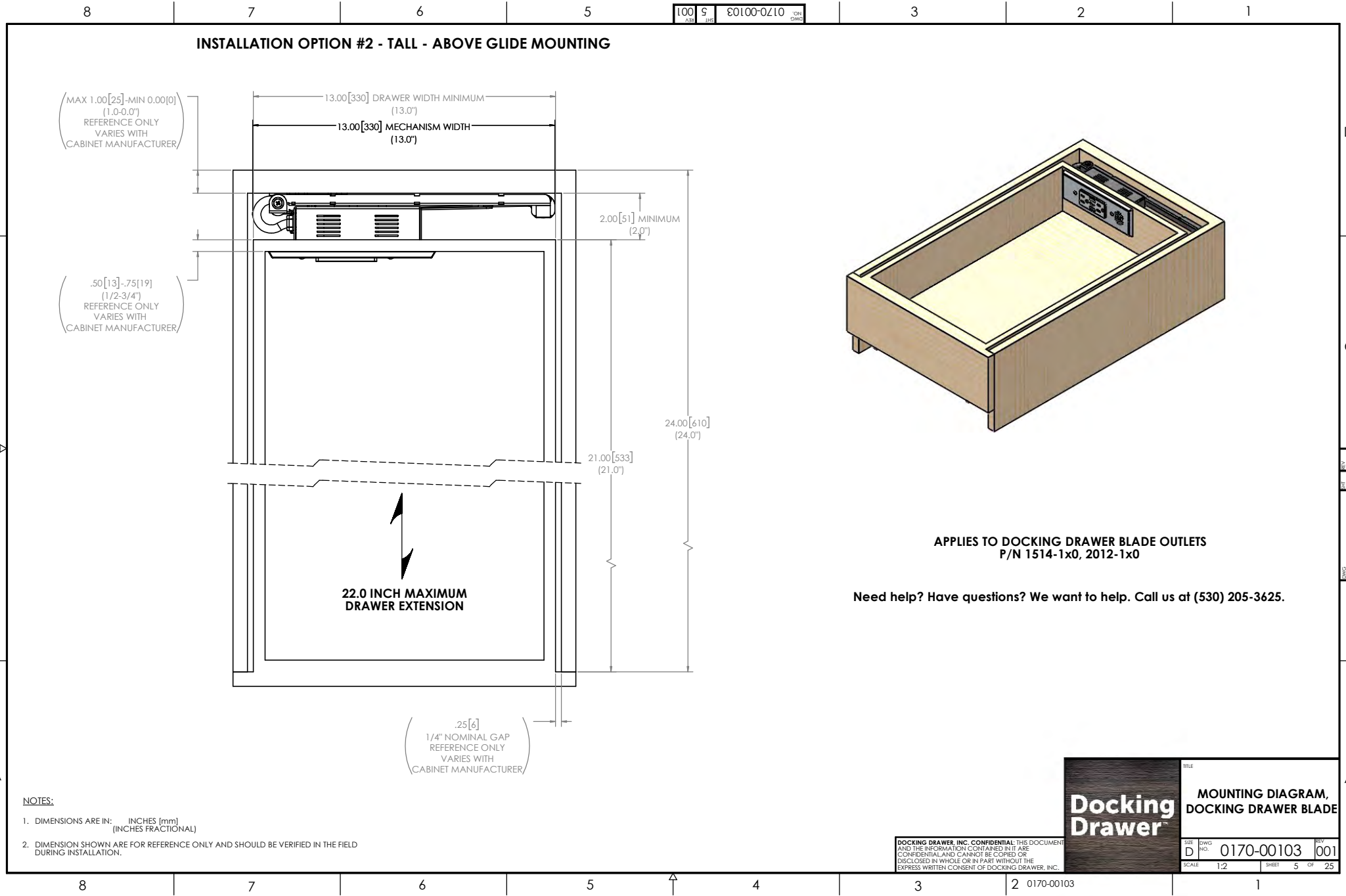
## INSTALLATION OPTION #2 - TALL - ABOVE GLIDE MOUNTING



8 | 7 | 6 | 5 | 4 | 3 | 2 0170-00096 | 1

DOCKING DRAWER, INC. CONFIDENTIAL THIS DOCUMENT AND THE INFORMATION CONTAINED HEREIN ARE CONFIDENTIAL AND CANNOT BE COPIED OR DISCLOSED IN WHOLE OR IN PART WITHOUT THE EXPRESS WRITTEN CONSENT OF DOCKING DRAWER, INC.		SIZE: D	DWG NO: 0170-00096	REV: 001
SCALE: 2:3		SHEET 8 OF 11		

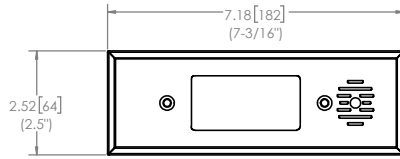
# Blade for Tall Drawers



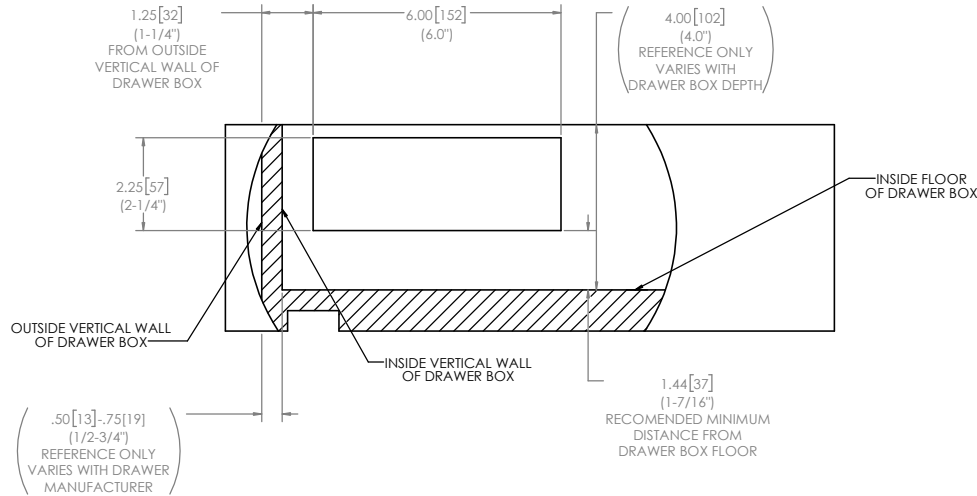
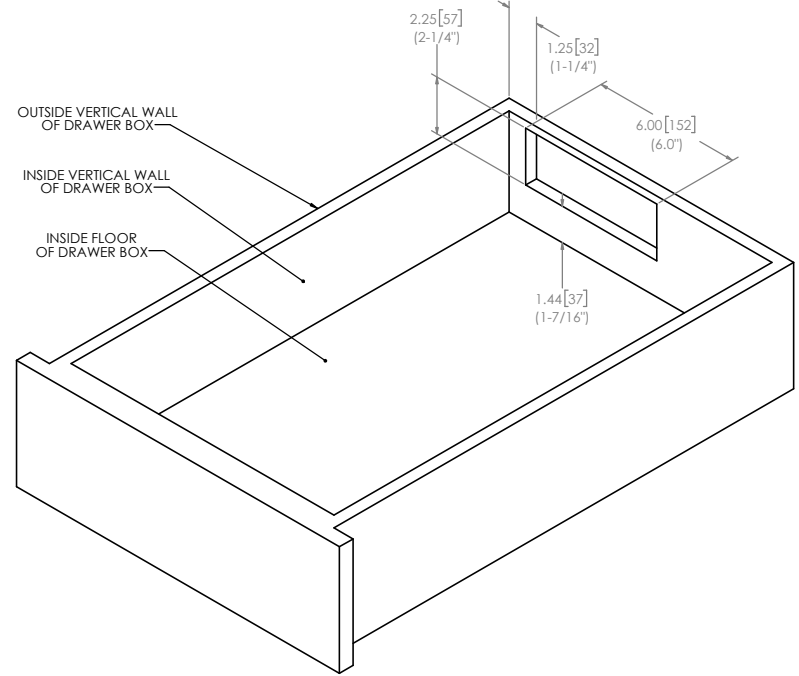
# Blade for Tall Drawers

8 7 6 5 4 3 2 1

100 9 0170-00103  
A38 185 DWG



**OUTLET COVER PLATE DIMENSIONS**



**INSTALLATION OPTION #2 - TALL - ABOVE GLIDE MOUNTING**

**RECEPTACLE BOX CUTOUT LOCATION  
(VIEW FROM FRONT FACE OF DRAWER)**

**NOTES:**

1. DIMENSIONS ARE IN: INCHES (mm)  
(INCHES FRACTIONAL)
2. DIMENSION SHOWN ARE FOR REFERENCE ONLY AND SHOULD BE VERIFIED IN THE FIELD DURING INSTALLATION.

DOCKING DRAWER, INC. CONFIDENTIAL THIS DOCUMENT AND THE INFORMATION CONTAINED IN IT ARE CONFIDENTIAL AND CANNOT BE COPIED OR DISCLOSED IN WHOLE OR IN PART WITHOUT THE EXPRESS WRITTEN CONSENT OF DOCKING DRAWER, INC.

SIZE: DWG	NO. 0170-00103	REV 001
SCALE: 1:2	SHEET 6	OF 25

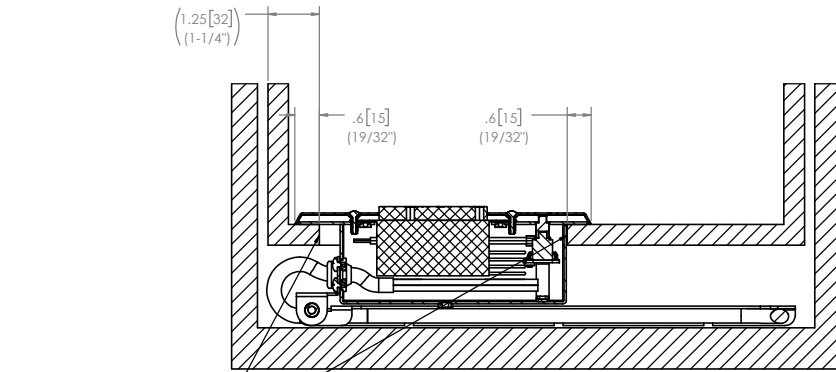
8 7 6 5 4 3 2 1



8 | 7 | 6 | 5 | 4 | 3 | 2 | 1

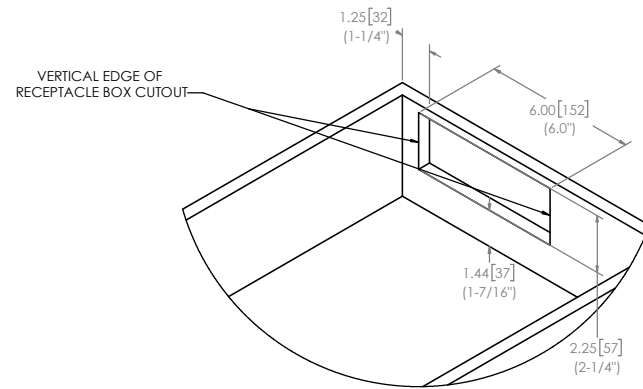
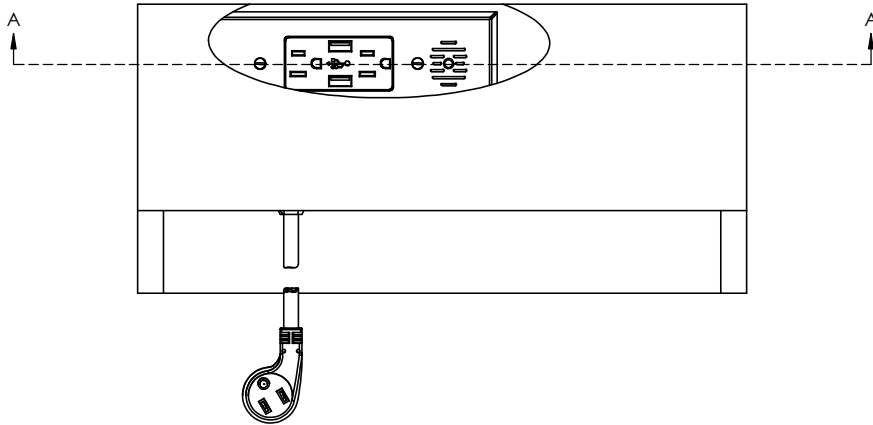
100 Z 80100-0210  
A38 145 DWG

## INSTALLATION OPTION #2 - TALL - ABOVE GLIDE MOUNTING



VERTICAL EDGE OF RECEPTACLE BOX CUTOUT

SECTION A-A  
SCALE 1 : 1.5



<small>JTECH SOLUTIONS, INC CONFIDENTIAL: THIS DOCUMENT AND THE INFORMATION CONTAINED IN IT ARE CONFIDENTIAL AND CANNOT BE COPIED OR DISCLOSED IN WHOLE OR IN PART WITHOUT THE EXPRESS WRITTEN CONSENT OF JTECH SOLUTIONS, INC.</small>		<small>SIZE: DWG</small> <b>D</b>	<small>NO.</small> <b>0170-00103</b>	<small>REV</small> <b>001</b>
<small>SCALE</small> 1:4	<small>SHEET</small> 7	<small>OF</small> 25		

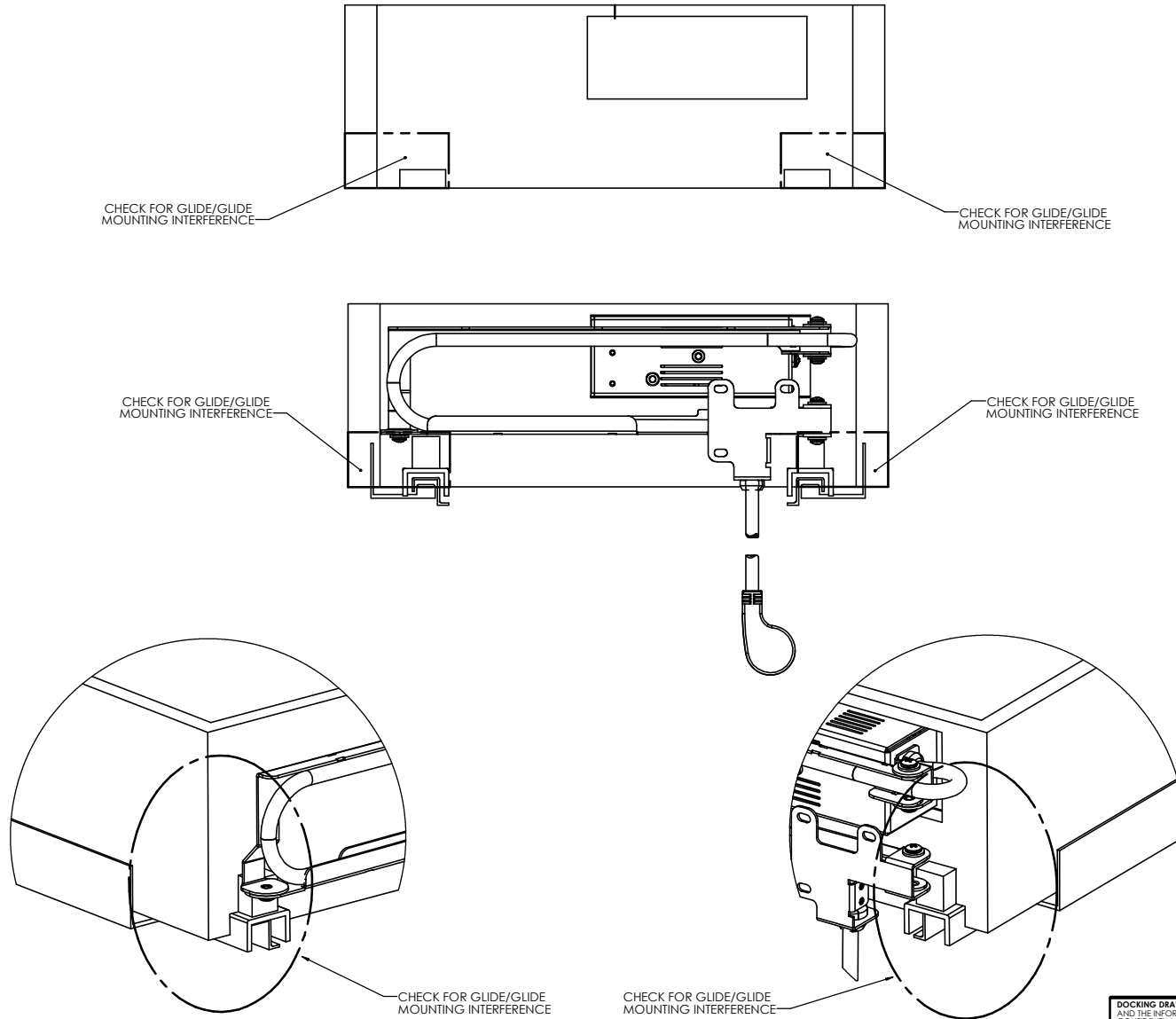
8 | 7 | 6 | 5 | 4 | 3 | 2 | 1

REV 001  
SHEET 7 OF 25  
DWG NO. 0170-00103

8 7 6 5 4 3 2 1

100 8 0170-0010  
REV. 01/10

## INSTALLATION OPTION #2 - TALL - ABOVE GLIDE MOUNTING



DOCKING DRAWER, INC. CONFIDENTIAL THIS DOCUMENT AND THE INFORMATION CONTAINED IN IT ARE CONFIDENTIAL AND CANNOT BE COPIED OR DISCLOSED IN WHOLE OR IN PART WITHOUT THE EXPRESS WRITTEN CONSENT OF DOCKING DRAWER, INC.

NO. 0170-00103	REV. 001
SCALE 2:3	SHEET 8 OF 25

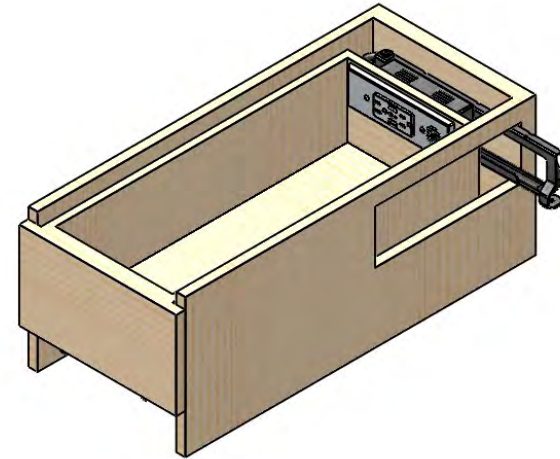
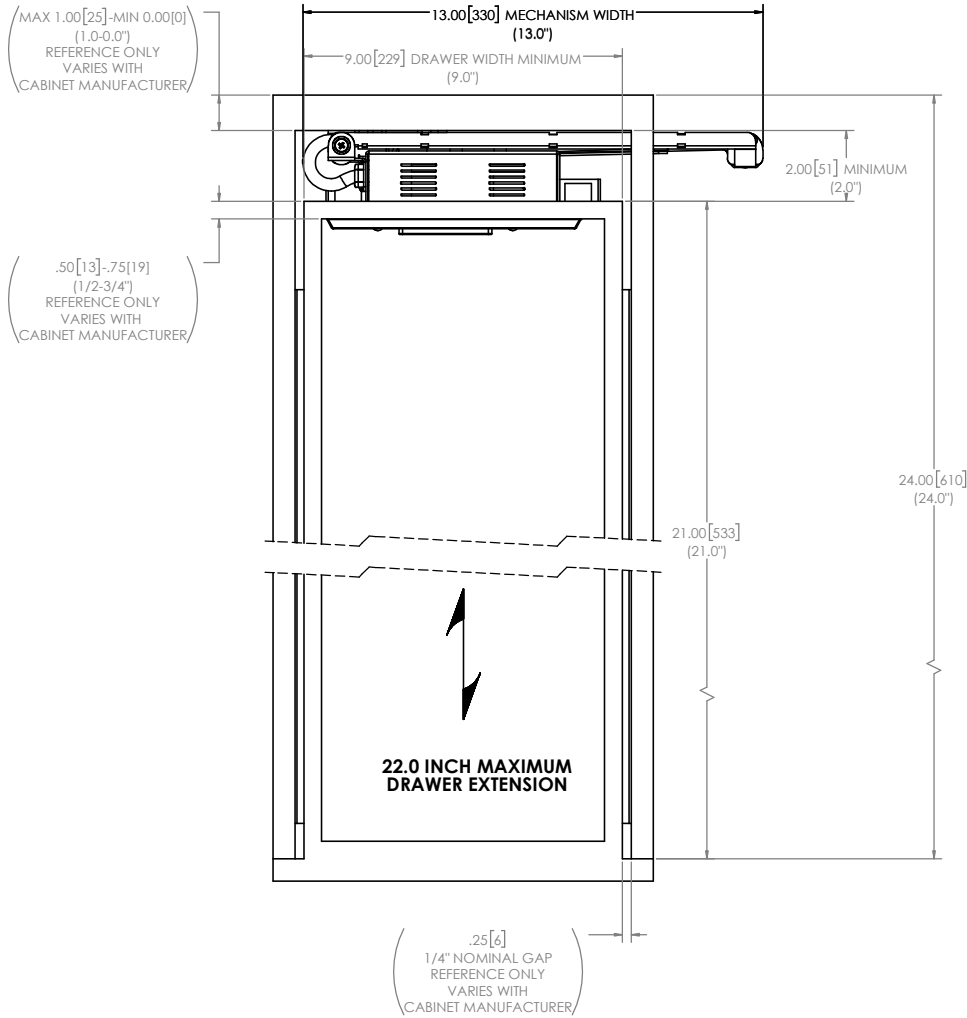
8 7 6 5 4 3 2 1

# Blade for Narrow Drawers (Right Side Channel)

8 | 7 | 6 | 5 | 100 6 80100-0Z10 | 3 | 2 | 1

## INSTALLATION OPTION #3 - NARROW - ABOVE GLIDE MOUNTING - RIGHT

REVISIONS				
ECC #	REV.	DESCRIPTION	BY	DATE
	001	INITIAL RELEASE	BN	09/03/2020
			SD	



APPLIES TO DOCKING DRAWER BLADE OUTLETS  
P/N 1514-1x0, 2012-1x0

Need help? Have questions? We want to help. Call us at (530) 205-3625.

**NOTES:**

1. DIMENSIONS ARE IN: INCHES [mm]  
(INCHES FRACTIONAL)
2. DIMENSION SHOWN ARE FOR REFERENCE ONLY AND SHOULD BE VERIFIED IN THE FIELD DURING INSTALLATION.

Docking  
Drawer

**MOUNTING DIAGRAM,  
DOCKING DRAWER BLADE**

SCALE: 1:2    SHEET: 9 OF 25

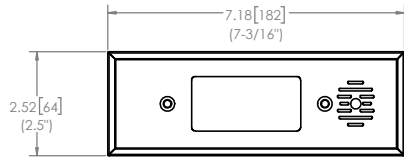
DOCKING DRAWER, INC. CONFIDENTIAL: THIS DOCUMENT AND THE INFORMATION CONTAINED IN IT ARE CONFIDENTIAL AND CANNOT BE COPIED OR DISCLOSED IN WHOLE OR IN PART WITHOUT THE EXPRESS WRITTEN CONSENT OF DOCKING DRAWER, INC.

NO. 0170-00103 REV. 001

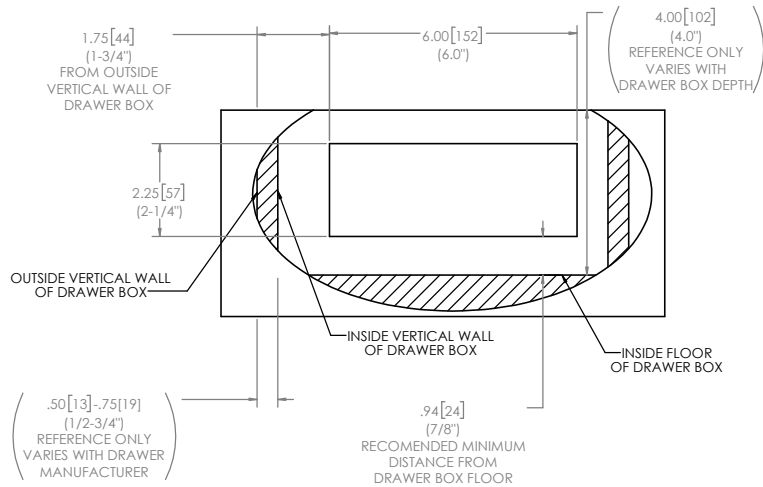
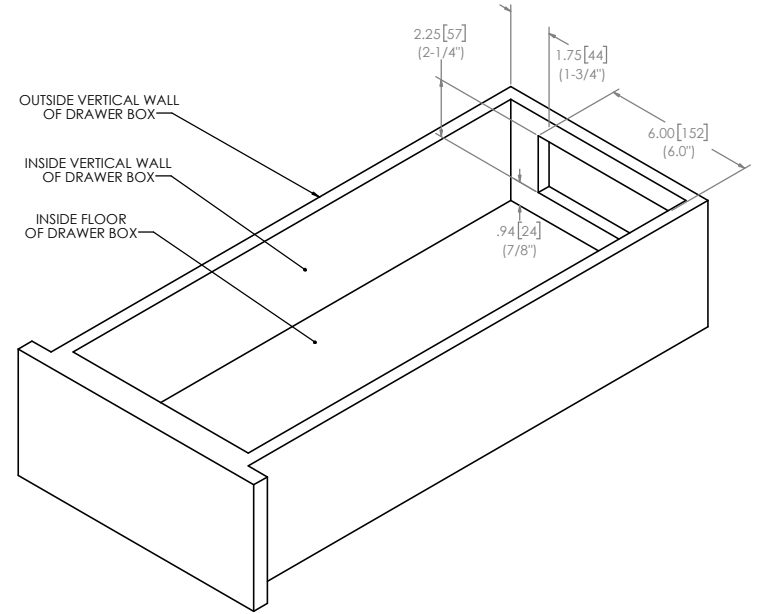
8 | 7 | 6 | 5 | 4 | 3 | 2 0170-00103 | 1

# Blade for Narrow Drawers (Right Side Channel)

10041 80100-0210  
ABS DHS CM SWG



**OUTLET COVER PLATE DIMENSIONS**



**INSTALLATION OPTION #4 - NARROW - ABOVE GLIDE MOUNTING - LEFT**

**RECEPTACLE BOX CUTOUT LOCATION  
(VIEW FROM FRONT FACE OF DRAWER)**

**NOTES:**

1. DIMENSIONS ARE IN: INCHES (mm)  
(INCHES FRACTIONAL)
2. DIMENSION SHOWN ARE FOR REFERENCE ONLY AND SHOULD BE VERIFIED IN THE FIELD DURING INSTALLATION.

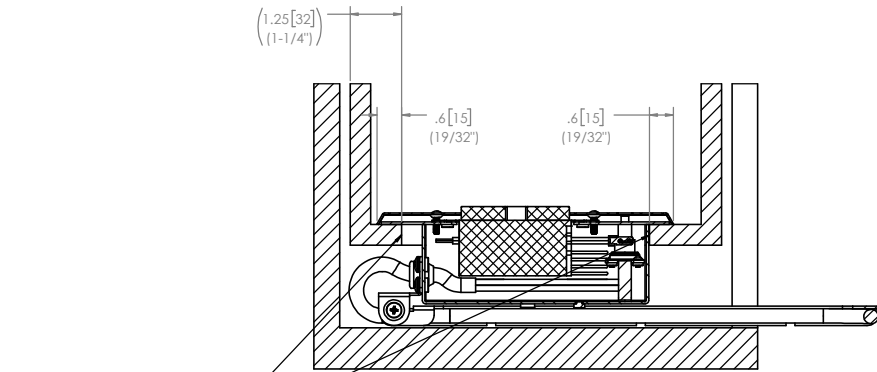
**DOCKING DRAWER, INC. CONFIDENTIAL** THIS DOCUMENT IS THE PROPERTY OF DOCKING DRAWER, INC. AND THE INFORMATION CONTAINED IN IT ARE CONFIDENTIAL AND CANNOT BE COPIED OR DISCLOSED IN WHOLE OR IN PART WITHOUT THE EXPRESS WRITTEN CONSENT OF DOCKING DRAWER, INC.  
 SIZE: DWG NO. **0170-00103** REV. **001**  
 SCALE: 1:2 SHEET 17 OF 25

# Blade for Narrow Drawers (Right Side Channel)

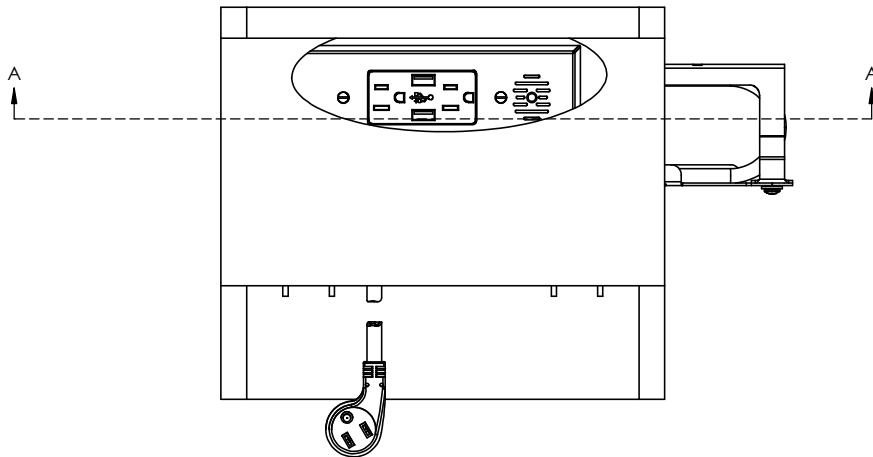
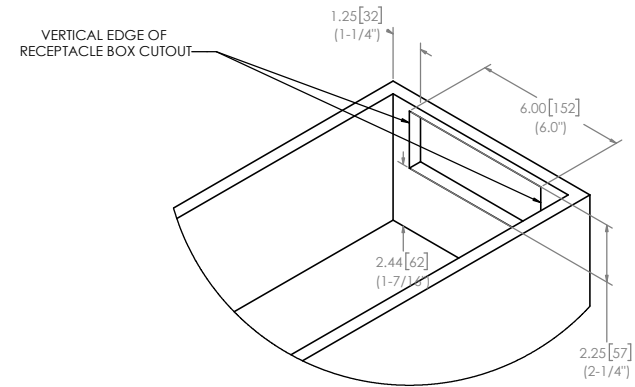
8 | 7 | 6 | 5 | 4 | 3 | 2 | 1

100 11 815 80100-0210 DWG  
A38 115 115 115

## INSTALLATION OPTION #3 - NARROW - ABOVE GLIDE MOUNTING - RIGHT



SECTION A-A  
SCALE 1 : 1.5



JTECH SOLUTIONS, INC CONFIDENTIAL: THIS DOCUMENT AND THE INFORMATION CONTAINED IN IT ARE CONFIDENTIAL AND CANNOT BE COPIED OR DISCLOSED IN WHOLE OR IN PART WITHOUT THE EXPRESS WRITTEN CONSENT OF JTECH SOLUTIONS, INC.		SIZE: DWG NO. 0170-00103	REV: 001
SCALE: 1:4	SHEET: 11	OF: 25	

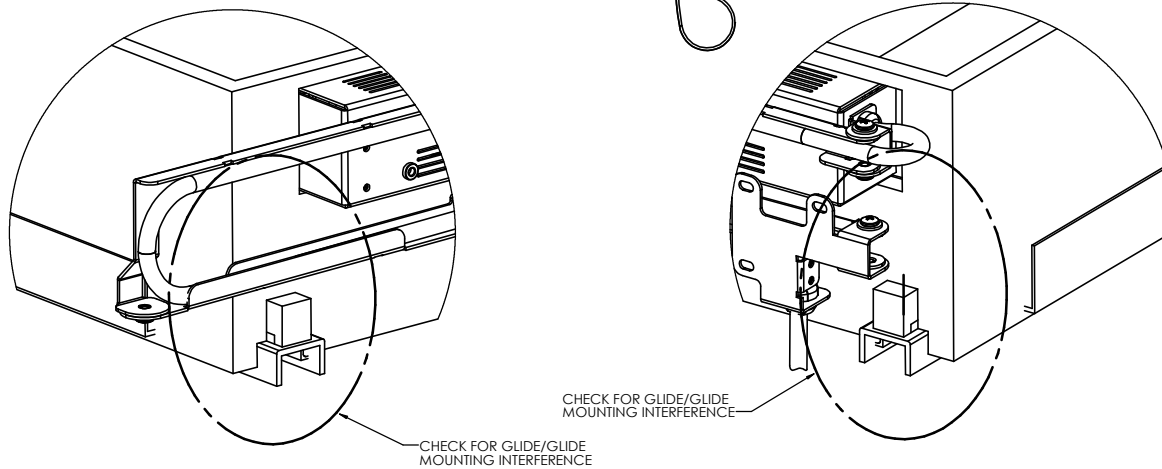
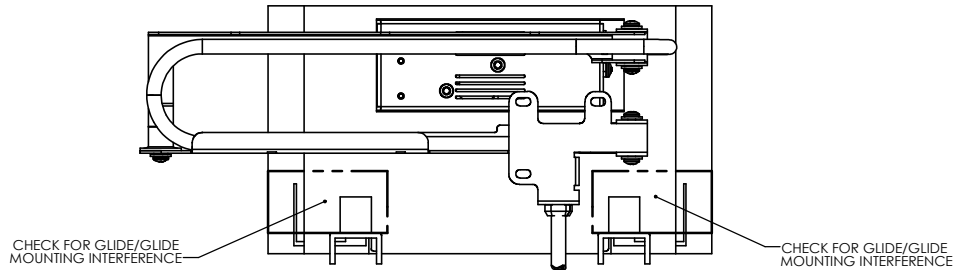
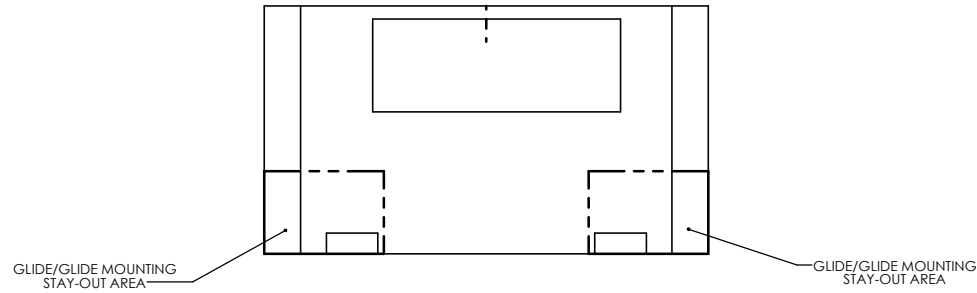
8 | 7 | 6 | 5 | 4 | 3 | 2 | 1

DWG NO. 0170-00103 REV. 11 001

# Blade for Narrow Drawers (Right Side Channel)

8 7 6 5 4 3 2 1

## INSTALLATION OPTION #3 - NARROW - ABOVE GLIDE MOUNTING - RIGHT



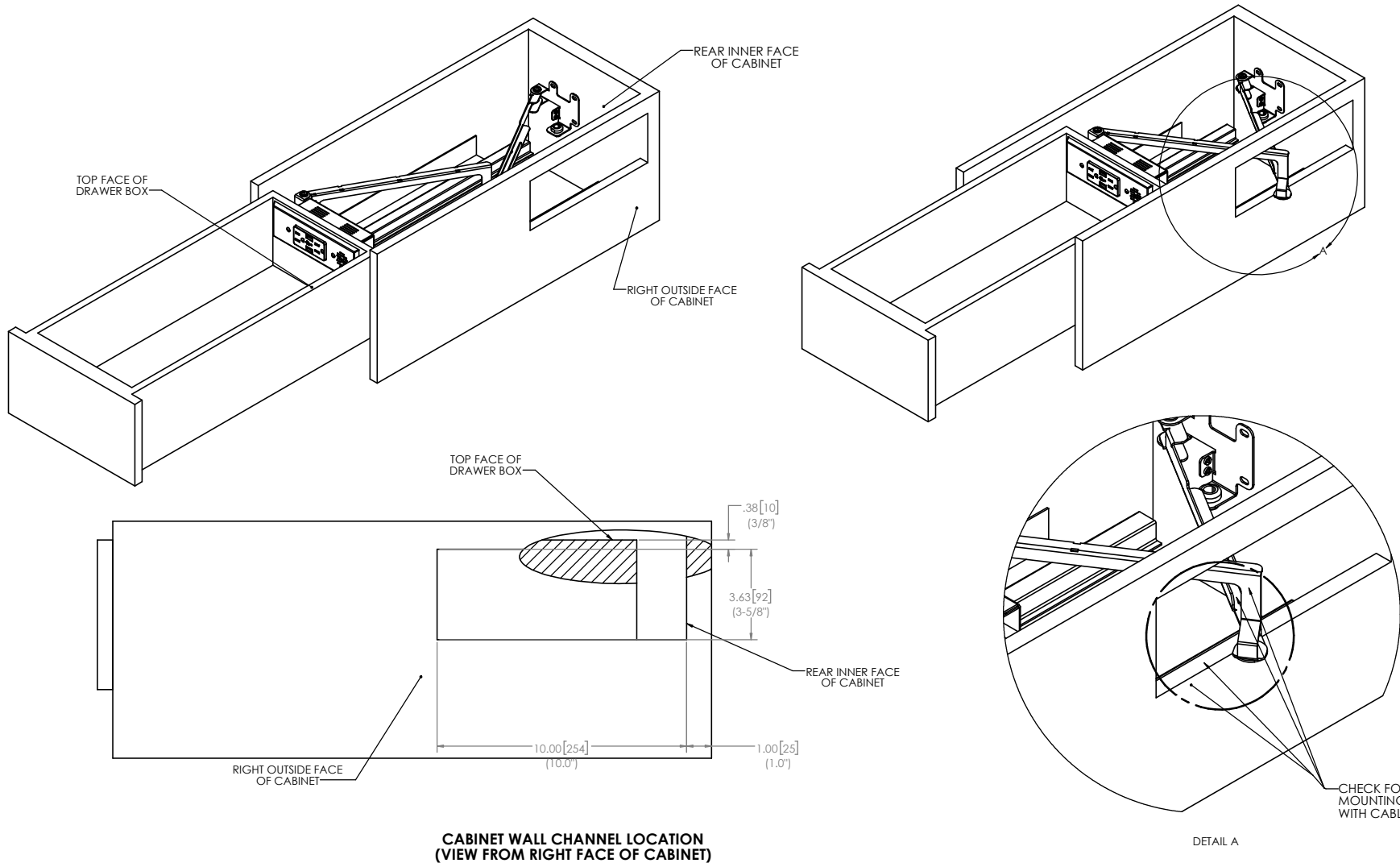
DOCKING DRAWER, INC. CONFIDENTIAL THIS DOCUMENT AND THE INFORMATION CONTAINED IN IT ARE CONFIDENTIAL AND CANNOT BE COPIED OR DISCLOSED IN WHOLE OR IN PART WITHOUT THE EXPRESS WRITTEN CONSENT OF DOCKING DRAWER, INC.		SIZE: DWG NO. <b>0170-00103</b>	REV. <b>001</b>
SCALE: 2:3	SHEET 12 OF 25		

8 7 6 5 4 3 2 1

# Blade for Narrow Drawers (Right Side Channel)

8 | 7 | 6 | 5 | 10031 815 80100-0210 2/17/01 DWG | 3 | 2 | 1

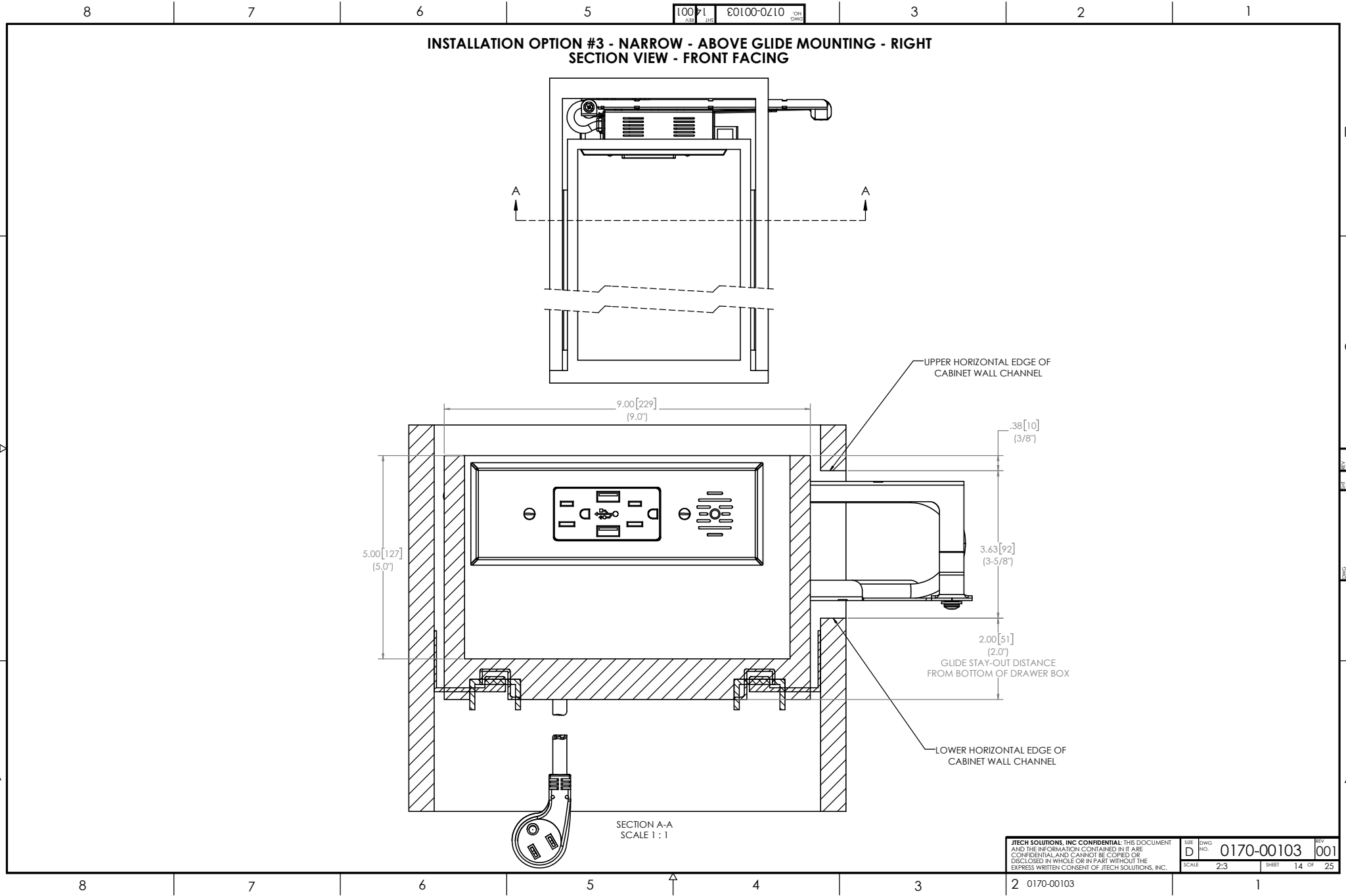
## INSTALLATION OPTION #3 - NARROW - ABOVE GLIDE MOUNTING - RIGHT



JTECH SOLUTIONS, INC CONFIDENTIAL: THIS DOCUMENT AND THE INFORMATION CONTAINED IN IT ARE CONFIDENTIAL AND CANNOT BE COPIED OR DISCLOSED IN WHOLE OR IN PART WITHOUT THE EXPRESS WRITTEN CONSENT OF JTECH SOLUTIONS, INC.		SIZE: DWG NO. 0170-00103	REV: 001
SCALE: 2:3	SHEET: 13	OF: 25	

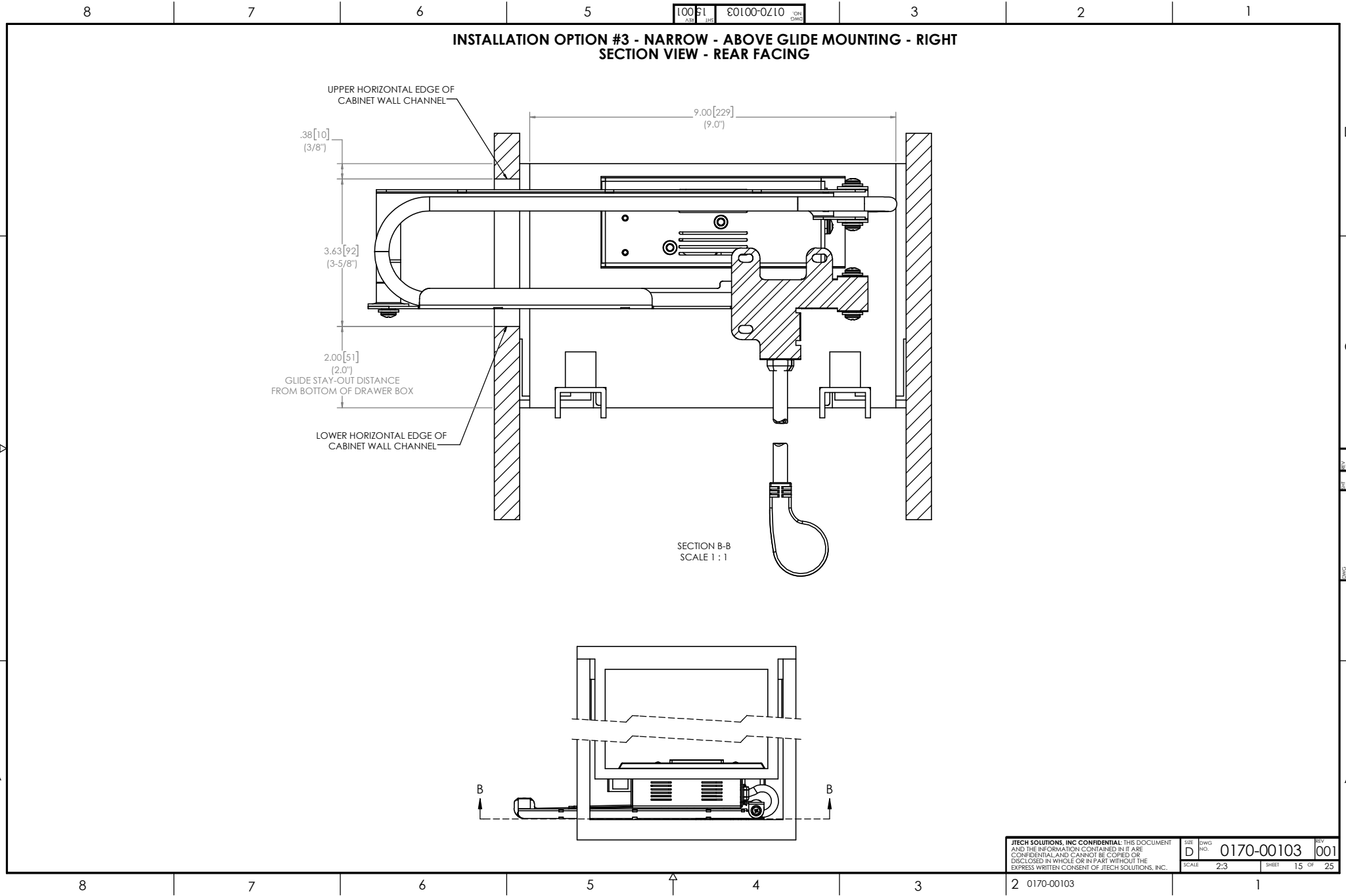
8 | 7 | 6 | 5 | 4 | 3 | 2 0170-00103 | 1

# Blade for Narrow Drawers (Right Side Channel)





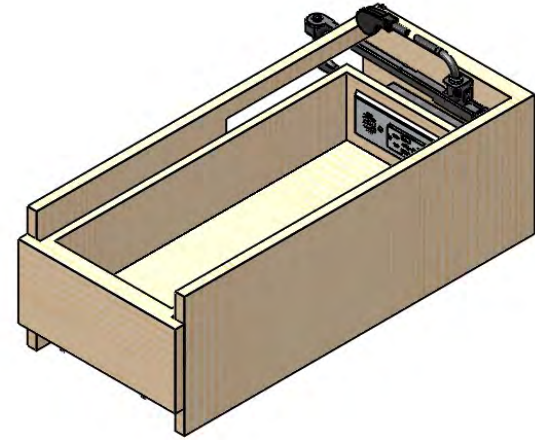
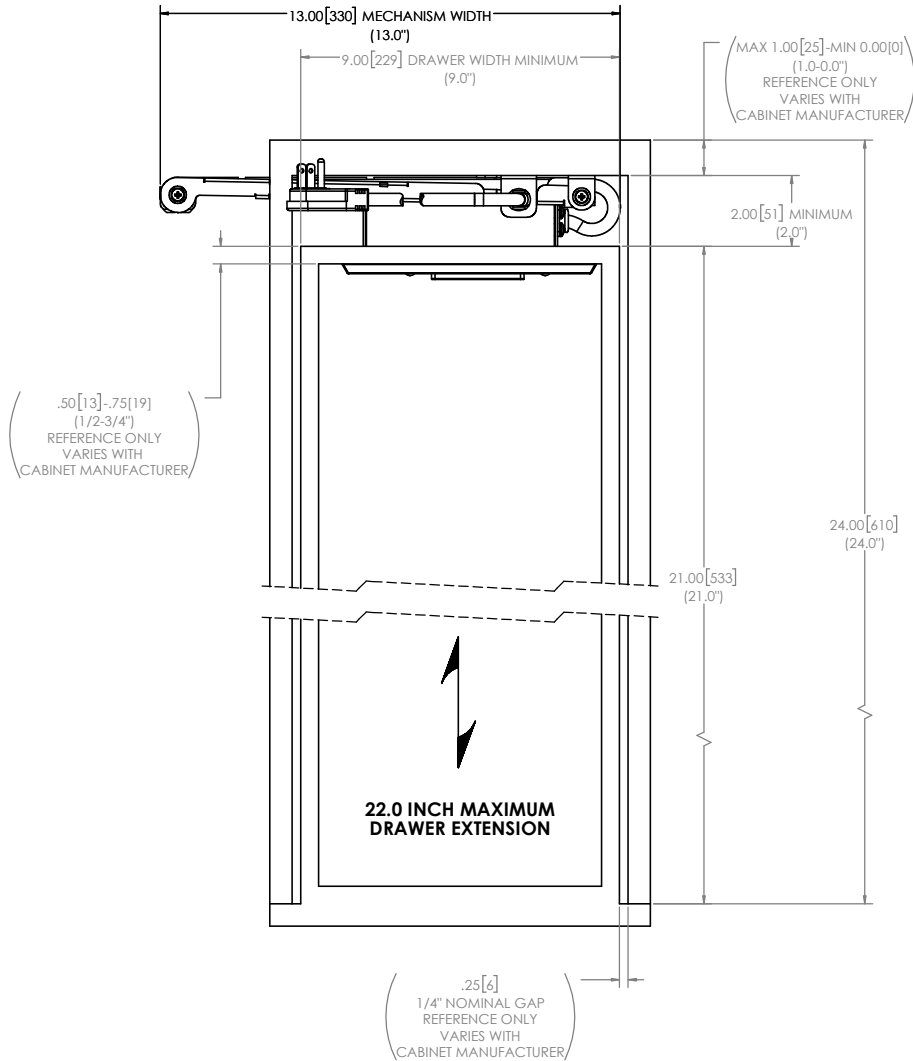
# Blade for Narrow Drawers (Right Side Channel)



JTECH SOLUTIONS, INC CONFIDENTIAL: THIS DOCUMENT AND THE INFORMATION CONTAINED IN IT ARE CONFIDENTIAL AND CANNOT BE COPIED OR DISCLOSED IN WHOLE OR IN PART WITHOUT THE EXPRESS WRITTEN CONSENT OF JTECH SOLUTIONS, INC.		SIZE: DWG NO. <b>0170-00103</b>	REV: <b>001</b>
SCALE: 2:3	SHEET 15 OF 25		

# Blade for Narrow Drawers (Left Side Channel)

## INSTALLATION OPTION #4 - NARROW - ABOVE GLIDE MOUNTING - LEFT



APPLIES TO DOCKING DRAWER BLADE OUTLETS  
P/N 1514-1x0, 2012-1x0

Need help? Have questions? We want to help. Call us at (530) 205-3625.

**NOTES:**

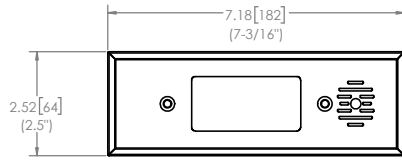
1. DIMENSIONS ARE IN: INCHES [mm] (INCHES FRACTIONAL)
2. DIMENSION SHOWN ARE FOR REFERENCE ONLY AND SHOULD BE VERIFIED IN THE FIELD DURING INSTALLATION.

<b>Docking Drawer</b>	TITLE	
	<b>MOUNTING DIAGRAM, DOCKING DRAWER BLADE</b>	
SIZE: D	DWG NO: 0170-00103	REV: 001
SCALE: 1:2	SHEET: 16	OF: 25

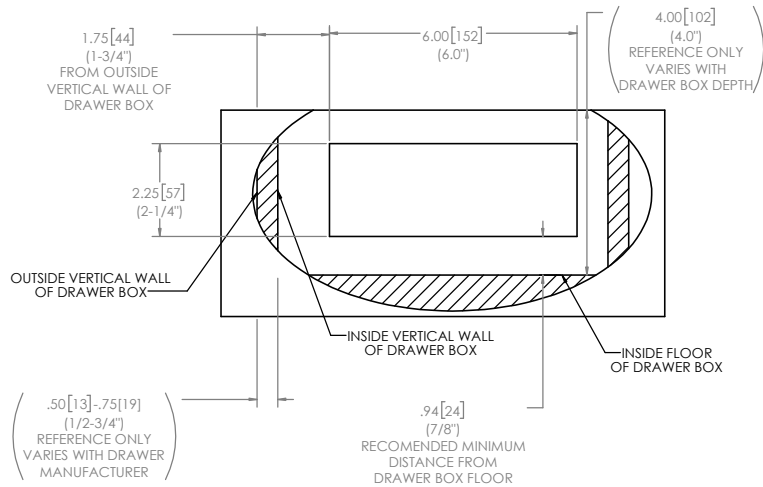
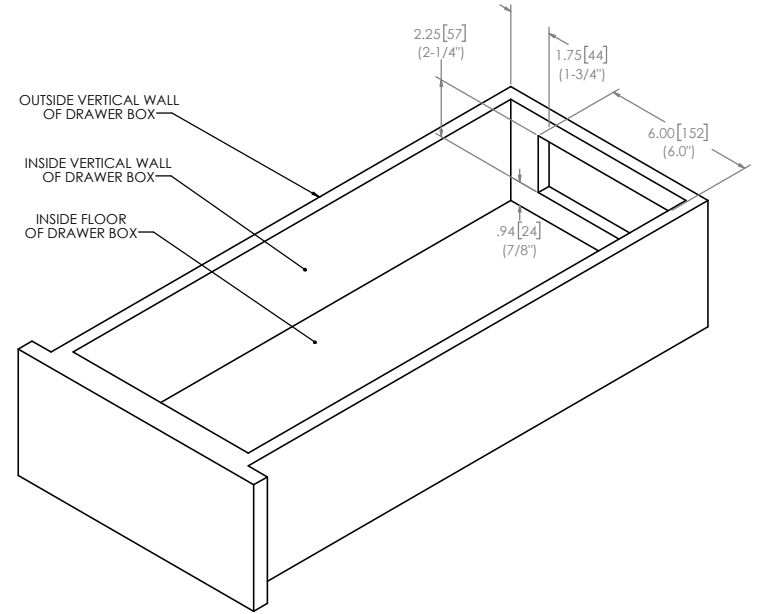
DOCKING DRAWER, INC. CONFIDENTIAL: THIS DOCUMENT AND THE INFORMATION CONTAINED IN IT ARE CONFIDENTIAL AND CANNOT BE COPIED OR DISCLOSED IN WHOLE OR IN PART WITHOUT THE EXPRESS WRITTEN CONSENT OF DOCKING DRAWER, INC.

# Blade for Narrow Drawers (Left Side Channel)

10041 80100-0210  
ABS LHS CM SWG



**OUTLET COVER PLATE DIMENSIONS**



**INSTALLATION OPTION #4 - NARROW - ABOVE GLIDE MOUNTING - LEFT**

**RECEPTACLE BOX CUTOUT LOCATION  
(VIEW FROM FRONT FACE OF DRAWER)**

**NOTES:**

1. DIMENSIONS ARE IN: INCHES (mm)  
(INCHES FRACTIONAL)
2. DIMENSION SHOWN ARE FOR REFERENCE ONLY AND SHOULD BE VERIFIED IN THE FIELD DURING INSTALLATION.

DOCKING DRAWER, INC. CONFIDENTIAL THIS DOCUMENT AND THE INFORMATION CONTAINED IN IT ARE CONFIDENTIAL AND CANNOT BE COPIED OR DISCLOSED IN WHOLE OR IN PART WITHOUT THE EXPRESS WRITTEN CONSENT OF DOCKING DRAWER, INC.  
SCALE 1:2 SHEET 17 OF 25

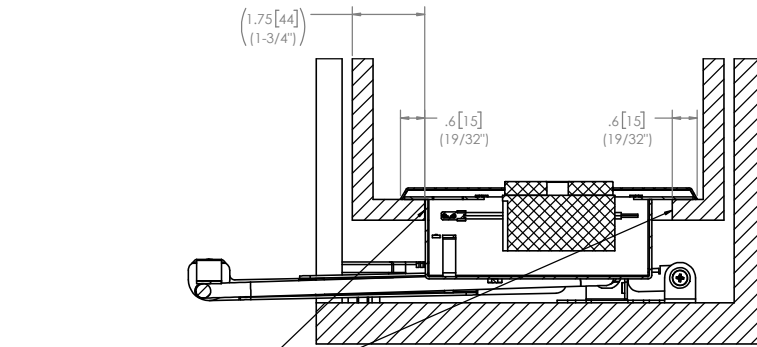
2 0170-00103 1 001

# Blade for Narrow Drawers (Left Side Channel)

8 | 7 | 6 | 5 | 4 | 3 | 2 | 1

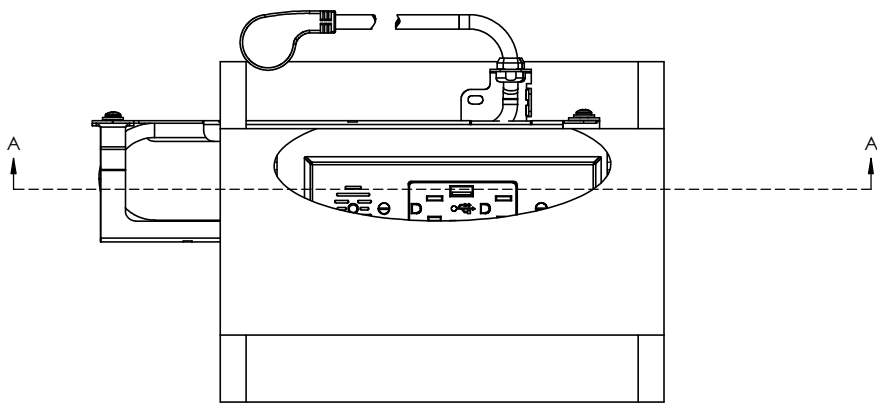
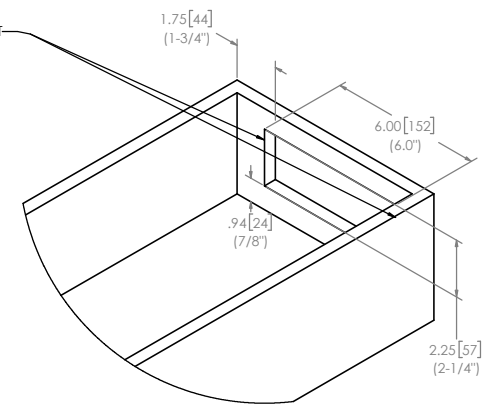
## INSTALLATION OPTION #4 - NARROW - ABOVE GLIDE MOUNTING - LEFT

SECTION A-A  
SCALE 1 : 1.5



VERTICAL EDGE OF RECEPTACLE BOX CUTOUT

VERTICAL EDGE OF RECEPTACLE BOX CUTOUT



JTECH SOLUTIONS, INC CONFIDENTIAL: THIS DOCUMENT AND THE INFORMATION CONTAINED IN IT ARE CONFIDENTIAL AND CANNOT BE COPIED OR DISCLOSED IN WHOLE OR IN PART WITHOUT THE EXPRESS WRITTEN CONSENT OF JTECH SOLUTIONS, INC.		SIZE: DWG NO. <b>0170-00103</b>	REV: <b>001</b>
SCALE: 1:4	SHEET: 18	OF: 25	

DWG NO. 0170-00103 SHEET 18 OF 25

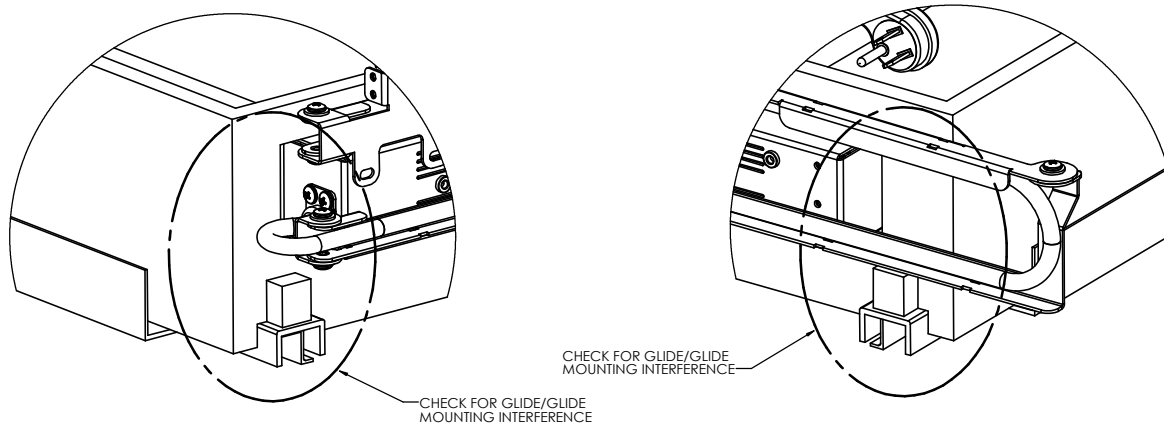
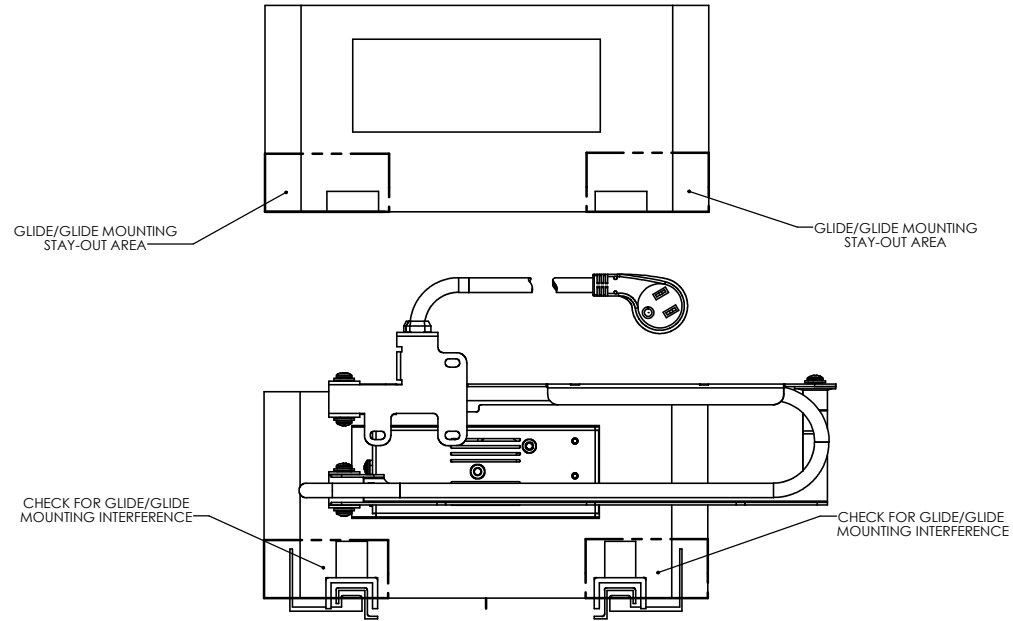
8 | 7 | 6 | 5 | 4 | 3 | 2 | 1

# Blade for Narrow Drawers (Left Side Channel)

8 7 6 5 4 3 2 1

10061 80100-0210  
ASB JHS CW DMG

## INSTALLATION OPTION #4 - NARROW - ABOVE GLIDE MOUNTING - LEFT



DOCKING DRAWER, INC. CONFIDENTIAL THIS DOCUMENT AND THE INFORMATION CONTAINED IN IT ARE CONFIDENTIAL AND CANNOT BE COPIED OR DISCLOSED IN WHOLE OR IN PART WITHOUT THE EXPRESS WRITTEN CONSENT OF DOCKING DRAWER, INC.

SIZE	D	DWG NO.	0170-00103	REV	001
SCALE	2:3	SHEET	19	OF	25

8 7 6 5 4 3 2 1

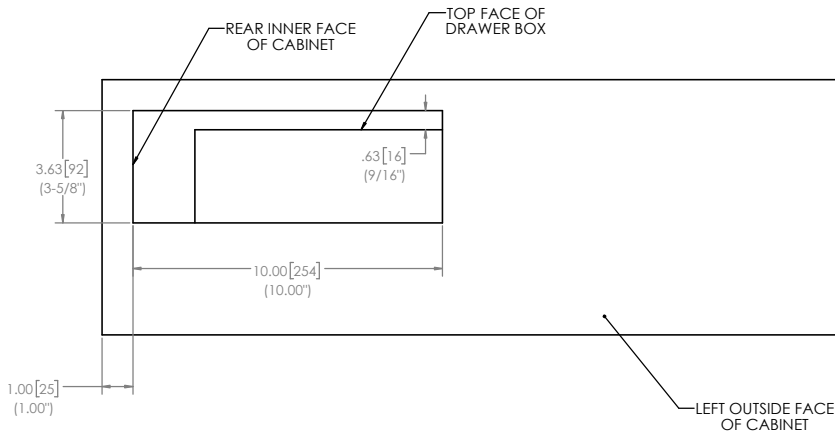
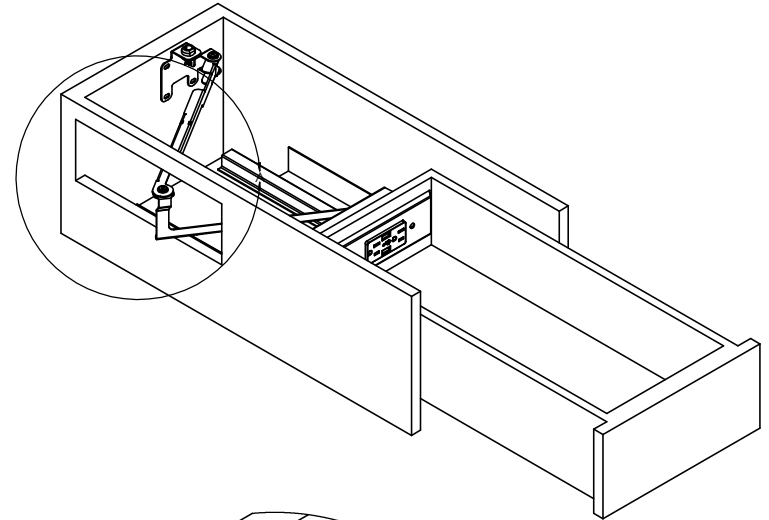
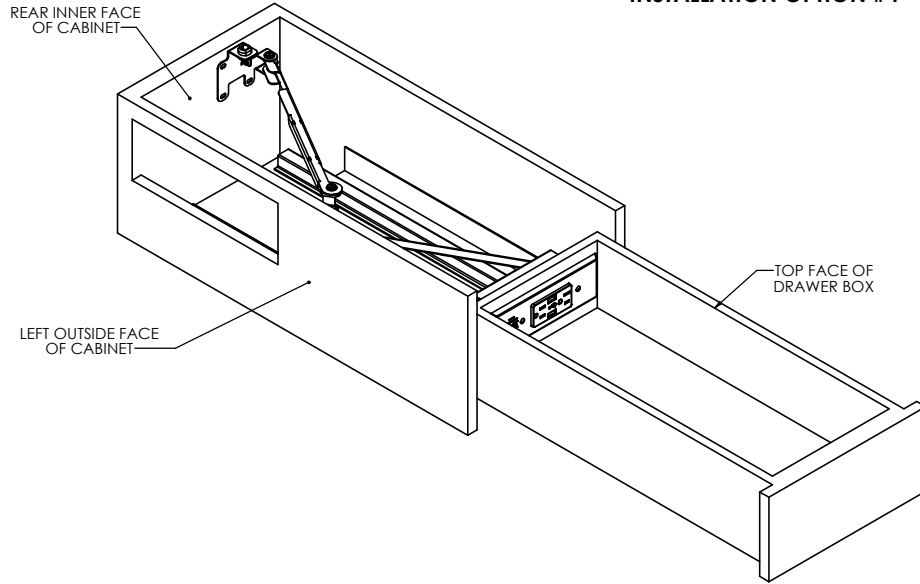
DWG NO. 0170-00103  
 REV. 19 001

# Blade for Narrow Drawers (Left Side Channel)

8 | 7 | 6 | 5 | 4 | 3 | 2 | 1

REV 001  
NO. 0170-00103  
DATE 2/20/01  
DWG

## INSTALLATION OPTION #4 - NARROW - ABOVE GLIDE MOUNTING - LEFT



**CABINET CUTOUT LOCATION  
(VIEW FROM RIGHT FACE OF CABINET)**

CHECK FOR GLIDE/GLIDE MOUNTING INTERFERENCE WITH CABLE ARMS

DETAIL A

JTECH SOLUTIONS, INC. CONFIDENTIAL: THIS DOCUMENT AND THE INFORMATION CONTAINED IN IT ARE CONFIDENTIAL AND CANNOT BE COPIED OR DISCLOSED IN WHOLE OR IN PART WITHOUT THE EXPRESS WRITTEN CONSENT OF JTECH SOLUTIONS, INC.

SCALE: 2:3

SHEET: 20 OF 25

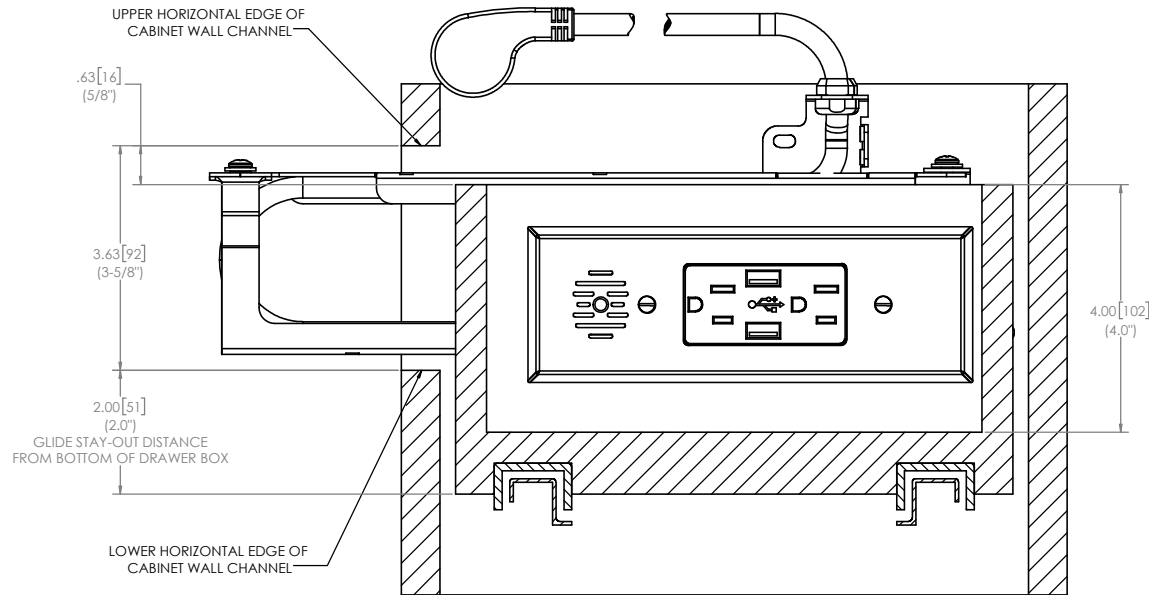
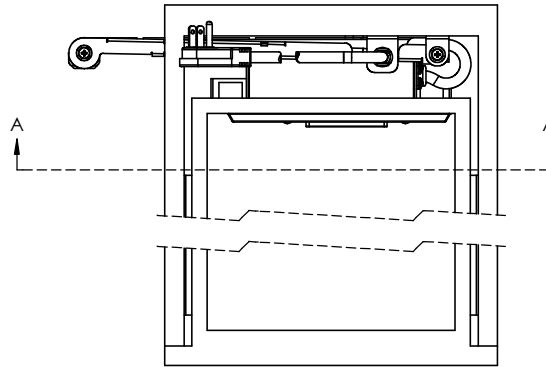
NO. 0170-00103

REV 001

8 | 7 | 6 | 5 | 4 | 3 | 2 | 1

# Blade for Narrow Drawers (Left Side Channel)

INSTALLATION OPTION #4 - NARROW - ABOVE GLIDE MOUNTING - LEFT  
SECTION VIEW - FRONT FACING



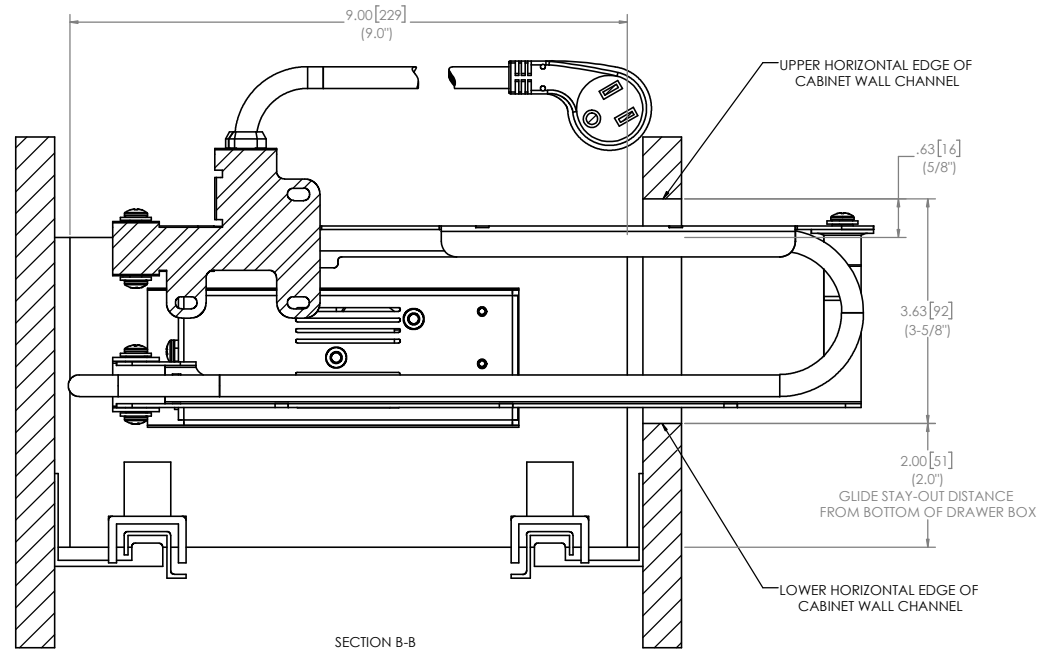
SECTION A-A  
SCALE 1 : 1

JTECH SOLUTIONS, INC CONFIDENTIAL: THIS DOCUMENT AND THE INFORMATION CONTAINED IN IT ARE CONFIDENTIAL AND CANNOT BE COPIED OR DISCLOSED IN WHOLE OR IN PART WITHOUT THE EXPRESS WRITTEN CONSENT OF JTECH SOLUTIONS, INC.		SIZE: DWG NO. <b>0170-00103</b> REV <b>001</b>	SCALE: 2:3	SHEET 21 OF 25
--	--	--	------------	----------------

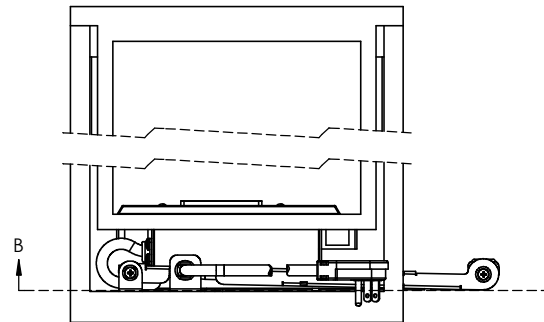
# Blade for Narrow Drawers (Left Side Channel)

8 7 6 5 4 3 2 1

## INSTALLATION OPTION #4 - NARROW - ABOVE GLIDE MOUNTING - LEFT SECTION VIEW - REAR FACING



SECTION B-B  
SCALE 1:1

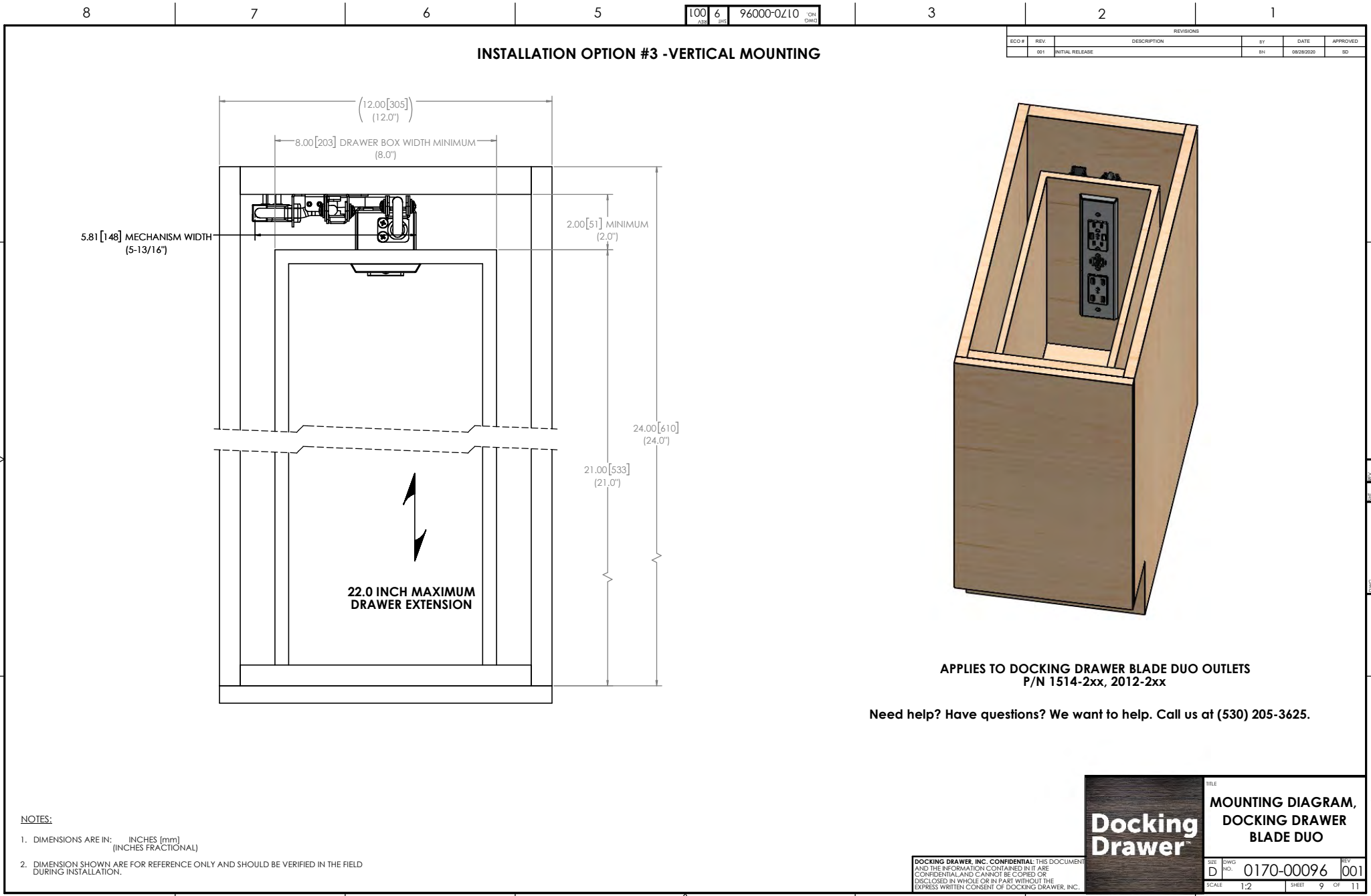


JTECH SOLUTIONS, INC CONFIDENTIAL: THIS DOCUMENT AND THE INFORMATION CONTAINED IN IT ARE CONFIDENTIAL AND CANNOT BE COPIED OR DISCLOSED IN WHOLE OR IN PART WITHOUT THE EXPRESS WRITTEN CONSENT OF JTECH SOLUTIONS, INC.		SIZE: DWG NO. <b>0170-00103</b>	REV: <b>001</b>
SCALE: 2:3	SHEET 22 OF 25		

8 7 6 5 4 3 2 1



# Blade Duo for Vertical Drawers



**MOUNTING DIAGRAM,  
DOCKING DRAWER  
BLADE DUO**

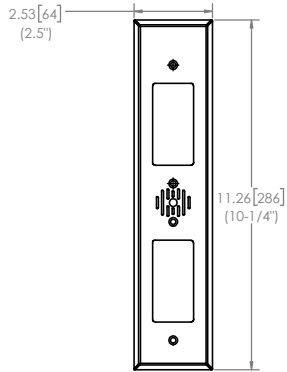
SCALE 1:2 SHEET 9 OF 11

DOCKING DRAWER, INC. CONFIDENTIAL THIS DOCUMENT AND THE INFORMATION CONTAINED IN IT ARE CONFIDENTIAL AND CANNOT BE COPIED OR DISCLOSED IN WHOLE OR IN PART WITHOUT THE EXPRESS WRITTEN CONSENT OF DOCKING DRAWER, INC.

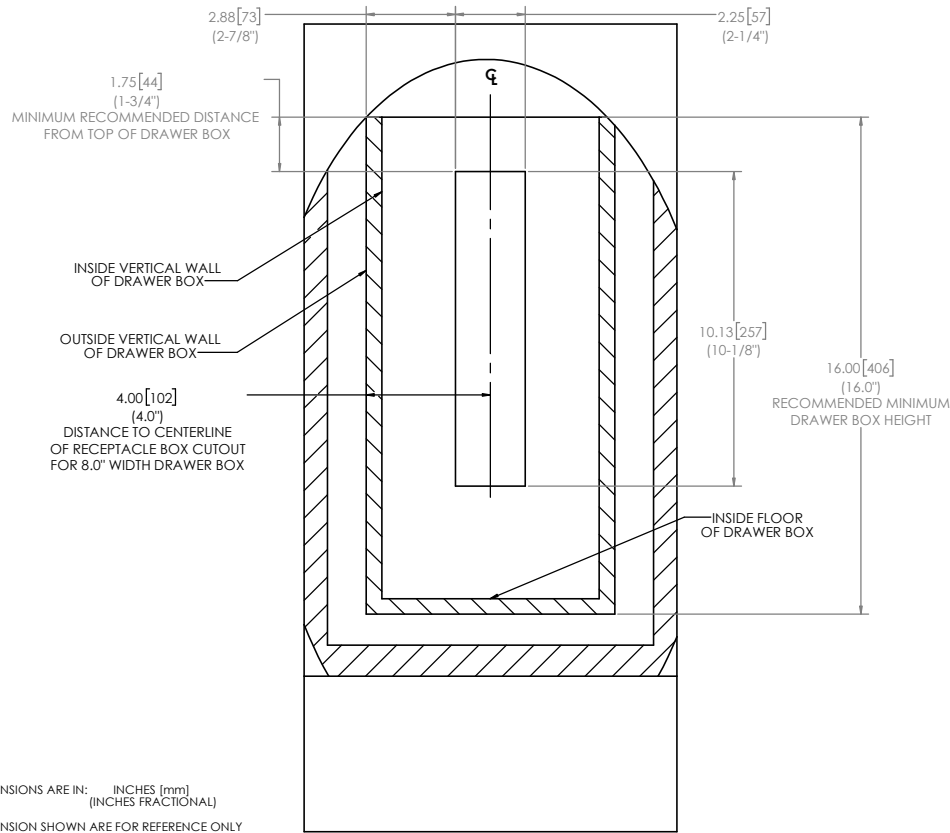
# Blade Duo for Vertical Drawers

10001 96000-0210  
ABS DHS CK DWG

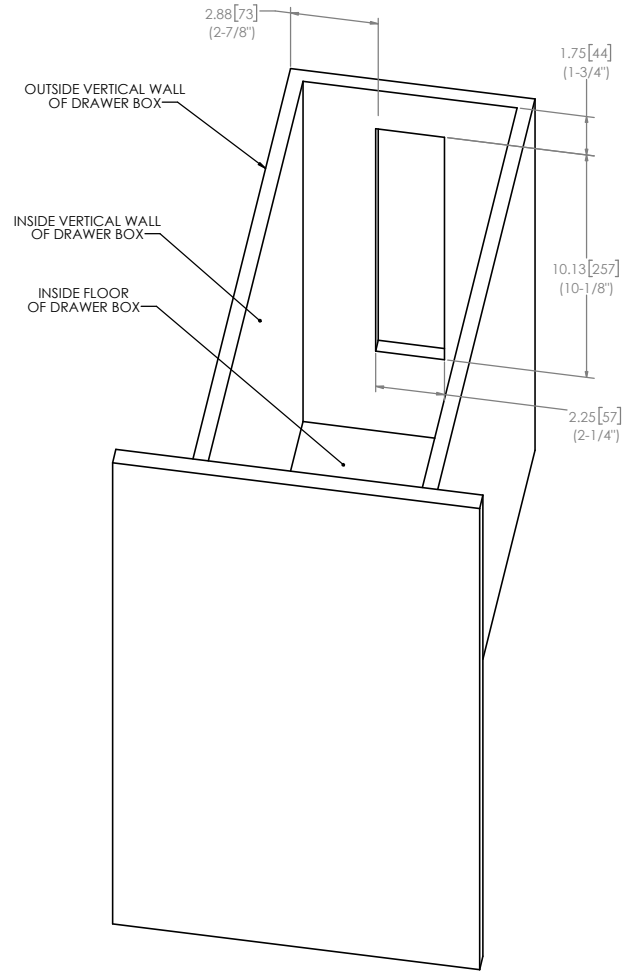
## INSTALLATION OPTION #3 - VERTICAL MOUNTING



OUTLET COVER PLATE DIMENSIONS



RECEPTACLE BOX CUTOUT LOCATION  
 (VIEW FROM FRONT FACE OF DRAWER)



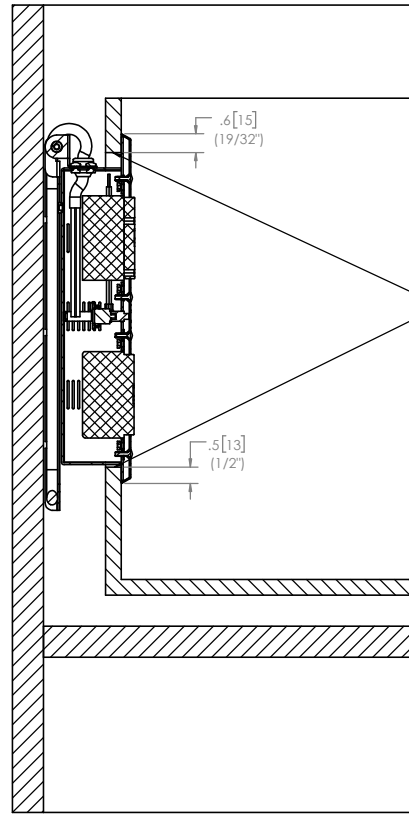
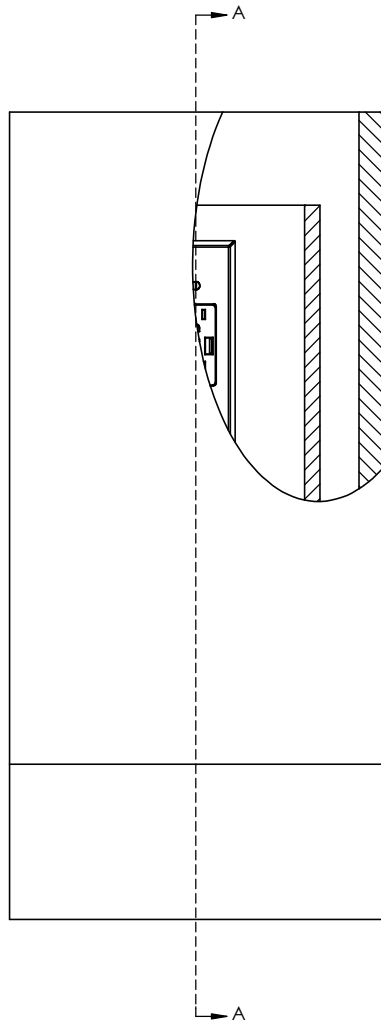
- NOTES:**
1. DIMENSIONS ARE IN: INCHES [mm]  
 (INCHES FRACTIONAL)
  2. DIMENSION SHOWN ARE FOR REFERENCE ONLY  
 AND SHOULD BE VERIFIED IN THE FIELD  
 DURING INSTALLATION.

DOCKING DRAWER, INC. CONFIDENTIAL THIS DOCUMENT AND THE INFORMATION CONTAINED IN IT ARE CONFIDENTIAL AND CANNOT BE COPIED OR DISCLOSED IN WHOLE OR IN PART WITHOUT THE EXPRESS WRITTEN CONSENT OF DOCKING DRAWER, INC.

SIZE	D	DWG NO.	0170-00096	REV.	001
SCALE	1:2	SHEET	10	OF	11

8 | 7 | 6 | 5 | 10011 96000-0210 | 3 | 2 | 1

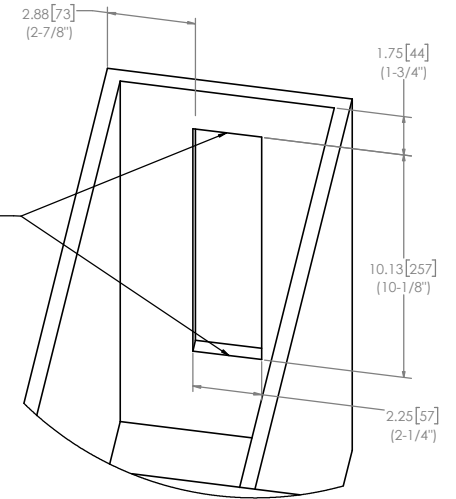
## INSTALLATION OPTION #3 - VERTICAL MOUNTING



SECTION A-A

HORIZONTAL EDGE OF RECEPTACLE BOX CUTOUT

HORIZONTAL EDGE OF RECEPTACLE BOX CUTOUT



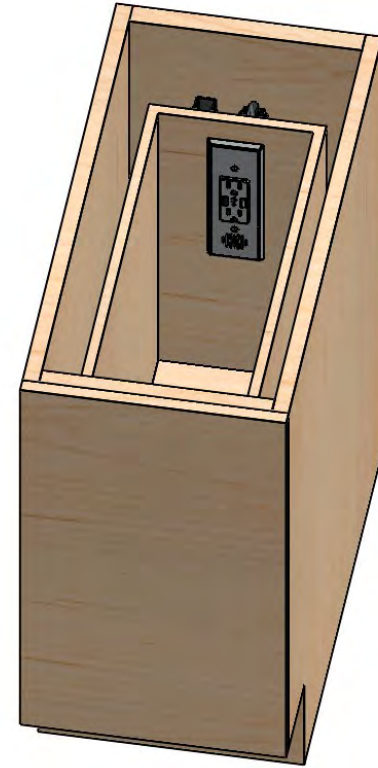
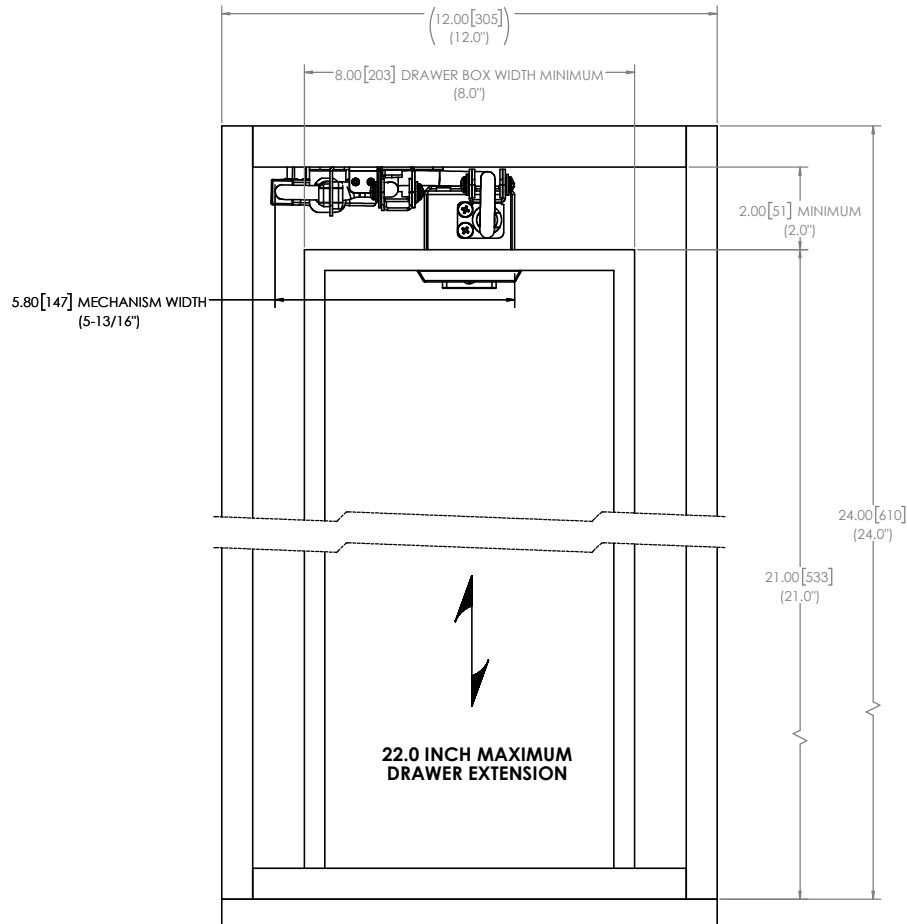
8 | 7 | 6 | 5 | 4 | 3 | 2 | 1

<small>JTECH SOLUTIONS, INC. CONFIDENTIAL: THIS DOCUMENT AND THE INFORMATION CONTAINED IN IT ARE CONFIDENTIAL AND CANNOT BE COPIED OR DISCLOSED IN WHOLE OR IN PART WITHOUT THE EXPRESS WRITTEN CONSENT OF JTECH SOLUTIONS, INC.</small>		<small>SIZE</small> D <small>DWG NO.</small> 0170-00096 <small>SCALE</small> 1:2	<small>REV</small> 001 <small>SHEET</small> 11 OF 11
--	--	--	---

DWG NO. 0170-00096 SHEET 11 OF 11

REV 001  
DWG NO. 0170-00103  
DATE 03/20/10

## INSTALLATION OPTION #5 - VERTICAL MOUNTING



APPLIES TO DOCKING DRAWER BLADE OUTLETS  
P/N 1514-1x0, 2012-1x0

Need help? Have questions? We want to help. Call us at (530) 205-3625.

**NOTES:**

1. DIMENSIONS ARE IN: INCHES [mm]  
(INCHES FRACTIONAL)
2. DIMENSION SHOWN ARE FOR REFERENCE ONLY AND SHOULD BE VERIFIED IN THE FIELD DURING INSTALLATION.

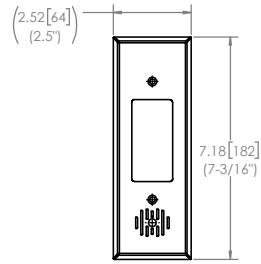
		TITLE	
		MOUNTING DIAGRAM, DOCKING DRAWER BLADE	
SIZE	DWG NO.	REV	
D	0170-00103	001	
SCALE	1:2	SHEET	23 OF 25

DOCKING DRAWER, INC. CONFIDENTIAL: THIS DOCUMENT AND THE INFORMATION CONTAINED IN IT ARE CONFIDENTIAL AND CANNOT BE COPIED OR DISCLOSED IN WHOLE OR IN PART WITHOUT THE EXPRESS WRITTEN CONSENT OF DOCKING DRAWER, INC.

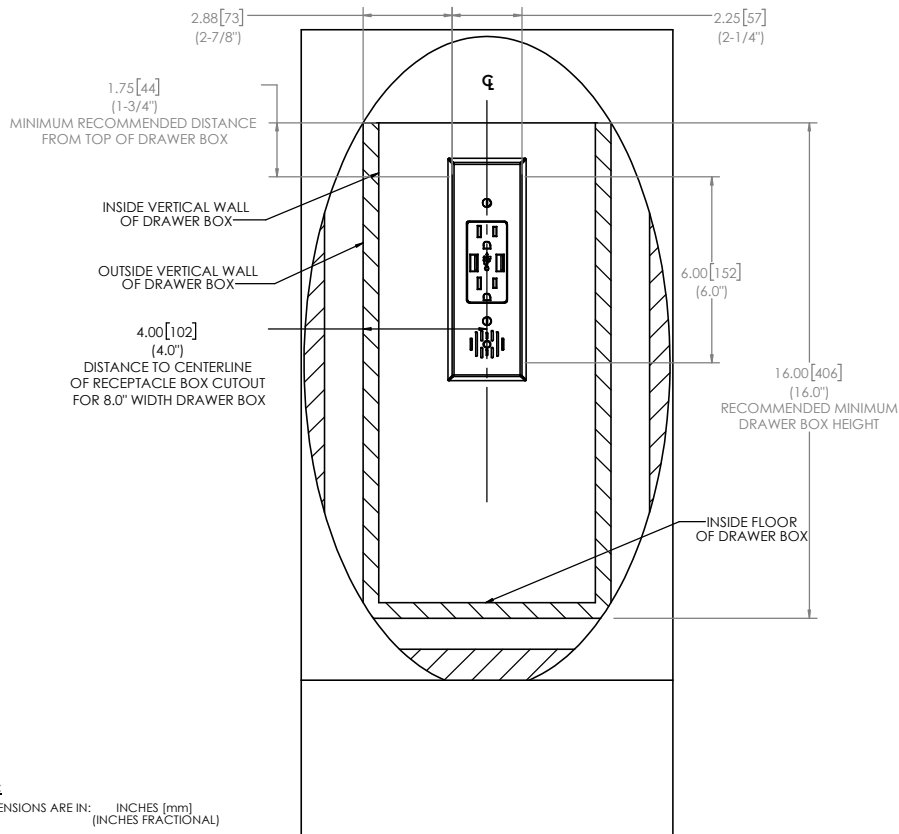
8 | 7 | 6 | 5 | 4 | 3 | 2 | 1

10072 0100-0210 DWG

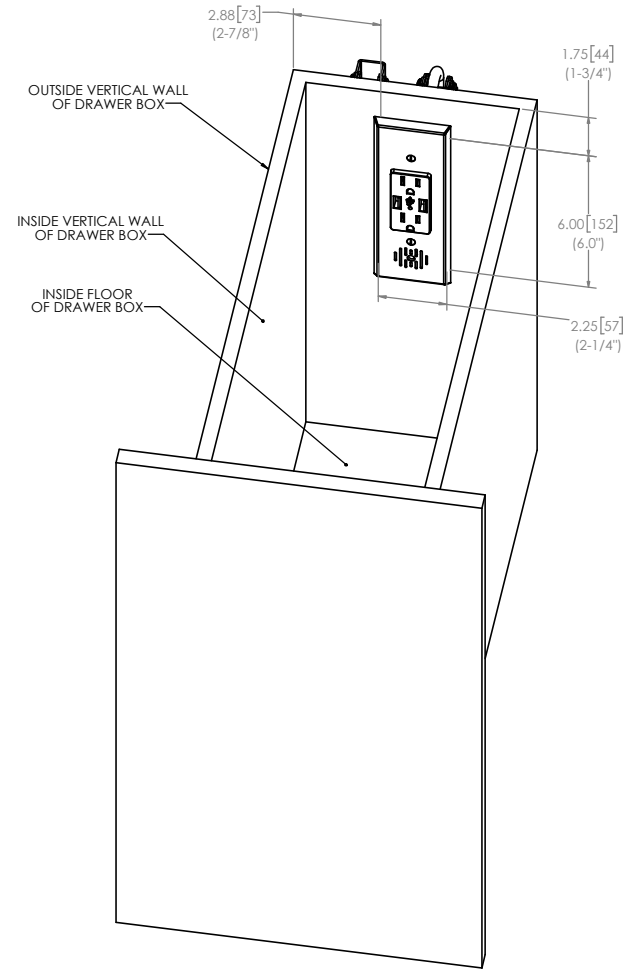
## INSTALLATION OPTION #5 - VERTICAL MOUNTING



OUTLET COVER PLATE DIMENSIONS



RECEPTACLE BOX CUTOUT LOCATION  
(VIEW FROM FRONT FACE OF DRAWER)



- NOTES:**
1. DIMENSIONS ARE IN: INCHES [mm]  
INCHES FRACTIONAL
  2. DIMENSION SHOWN ARE FOR REFERENCE ONLY  
AND SHOULD BE VERIFIED IN THE FIELD  
DURING INSTALLATION.

DOCKING DRAWER, INC. CONFIDENTIAL THIS DOCUMENT AND THE INFORMATION CONTAINED IN IT ARE CONFIDENTIAL AND CANNOT BE COPIED OR DISCLOSED IN WHOLE OR IN PART WITHOUT THE EXPRESS WRITTEN CONSENT OF DOCKING DRAWER, INC.

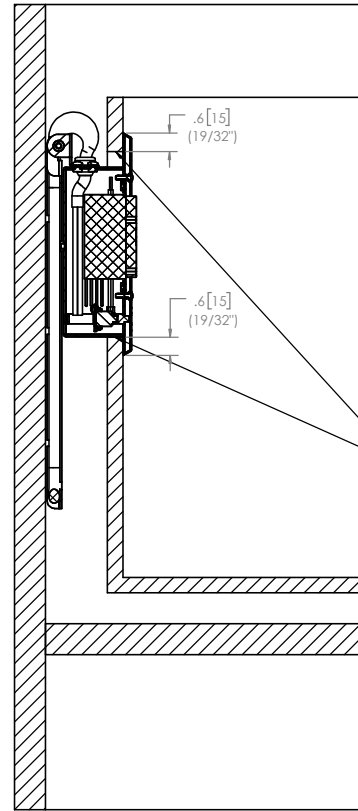
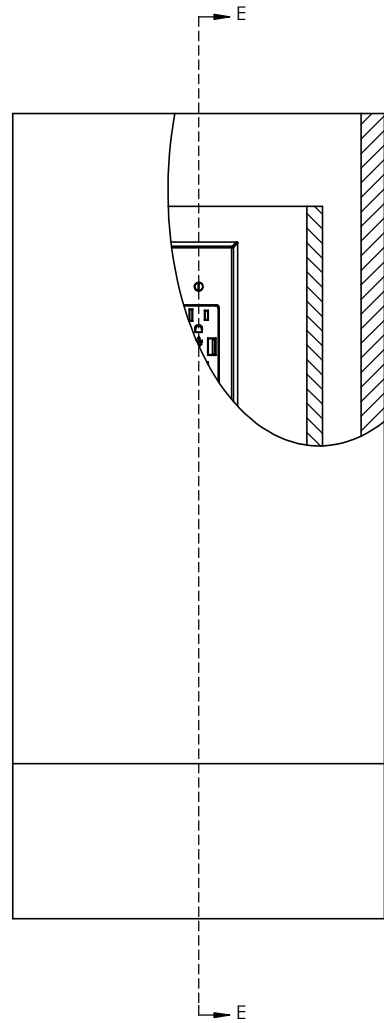
SIZE	D	DWG NO.	0170-00103	REV	001
SCALE	1:2	SHEET	24	OF	25

2 0170-00103 | 1

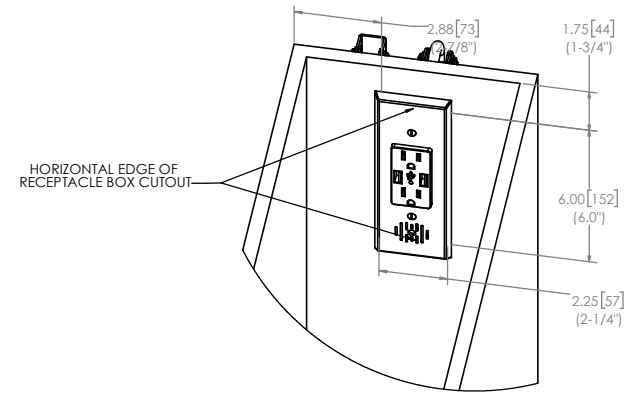
8 | 7 | 6 | 5 | 4 | 3 | 2 | 1

REV 0170-00103 DWG 25 OF 25

## INSTALLATION OPTION #5 - VERTICAL MOUNTING



SECTION E-E

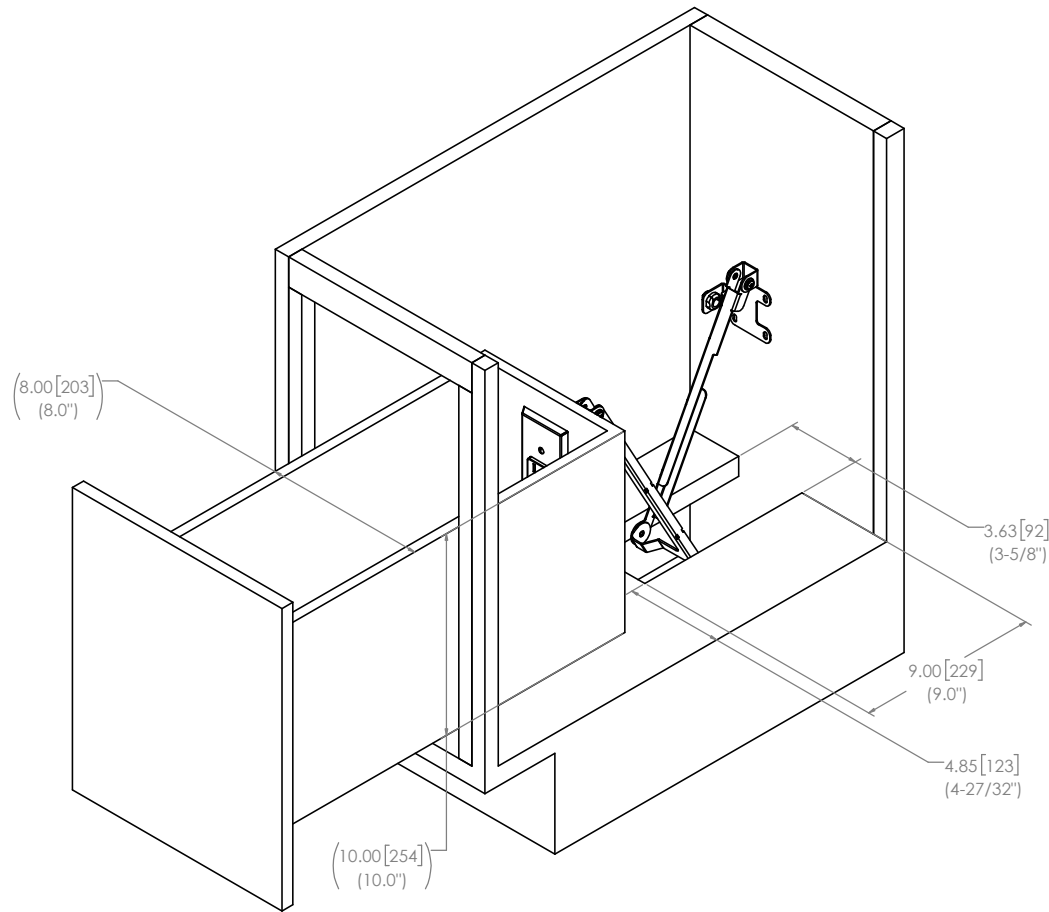


<small>JTECH SOLUTIONS, INC CONFIDENTIAL: THIS DOCUMENT AND THE INFORMATION CONTAINED IN IT ARE CONFIDENTIAL AND CANNOT BE COPIED OR DISCLOSED IN WHOLE OR IN PART WITHOUT THE EXPRESS WRITTEN CONSENT OF JTECH SOLUTIONS, INC.</small>		<small>SIZE</small> DWG NO. <b>0170-00103</b> <small>REV</small> <b>001</b>
<small>SCALE</small> 1:2	<small>SHEET</small> 25 OF 25	<small>DATE</small> 0170-00103

8 | 7 | 6 | 5 | 4 | 3 | 2 | 1

# Blade for Shallow Vertical Drawers

REVISIONS					
ECO #	REV.	DESCRIPTION	BY	DATE	APPROVED
	001	INITIAL RELEASE	BN	9/22/2020	AG



**NOTES:**

1. DIMENSIONS ARE IN: INCHES [mm]  
(INCHES FRACTIONAL)
2. DIMENSION SHOWN ARE FOR REFERENCE ONLY AND SHOULD BE VERIFIED IN THE FIELD DURING INSTALLATION.

DOCKING DRAWER, INC. CONFIDENTIAL THIS DOCUMENT AND THE INFORMATION CONTAINED IN IT ARE CONFIDENTIAL AND CANNOT BE COPIED OR DISCLOSED IN WHOLE OR IN PART WITHOUT THE EXPRESS WRITTEN CONSENT OF DOCKING DRAWER, INC.

**VERTICAL BLADE OUTLET,  
10 INCH DRAWER BOX,  
WITH CABINET CHANNEL**

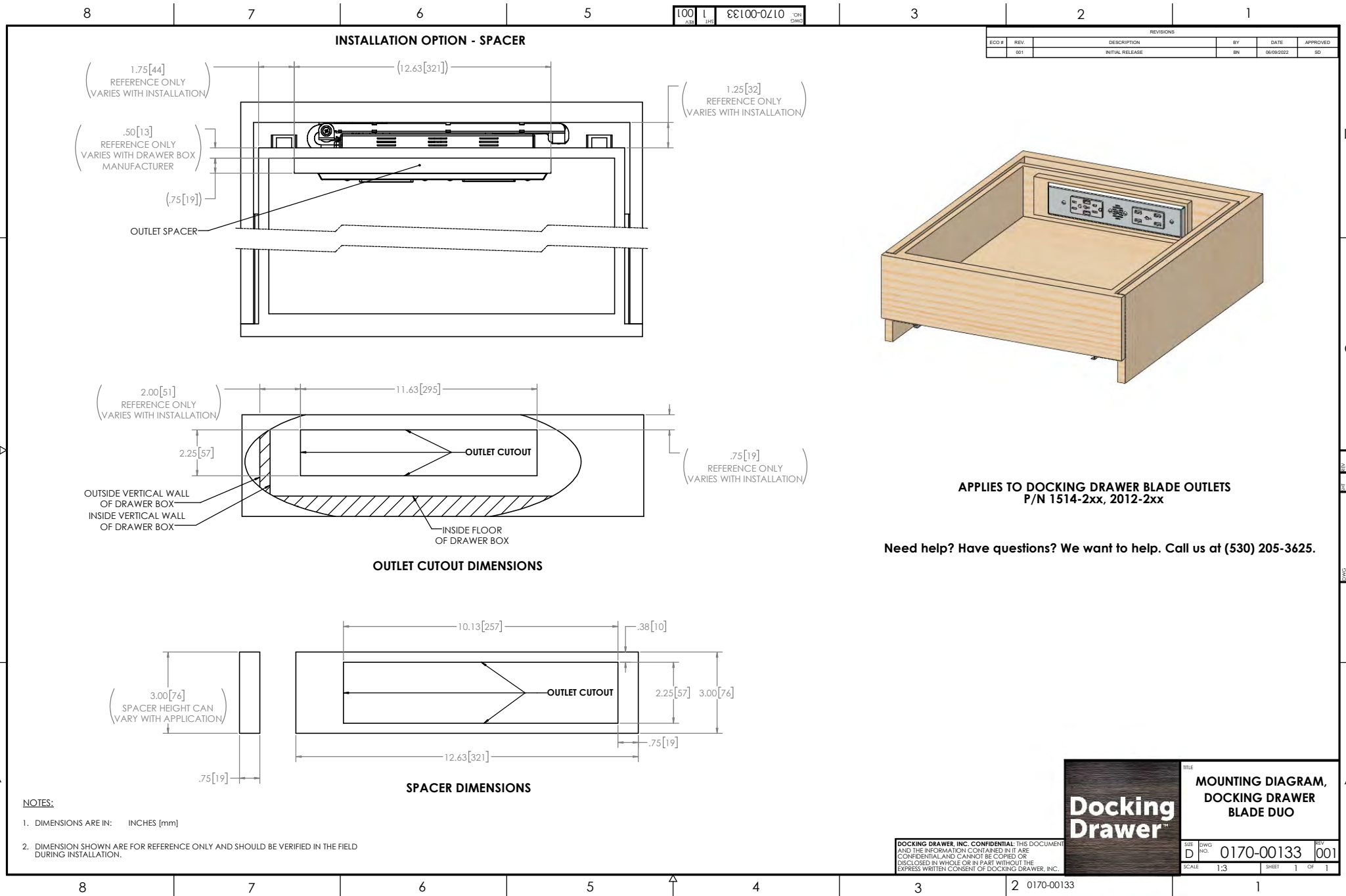
SIZE	DWG. NO.	REV.
D	0170-000XX	9/2
SCALE	SHEET	OF
2:5	1	1

2 0170-Vertical Blade 10 Inch Drawer Box 1





# Blade Duo for Minimal Space Behind the Drawer Box (1.25"-2")



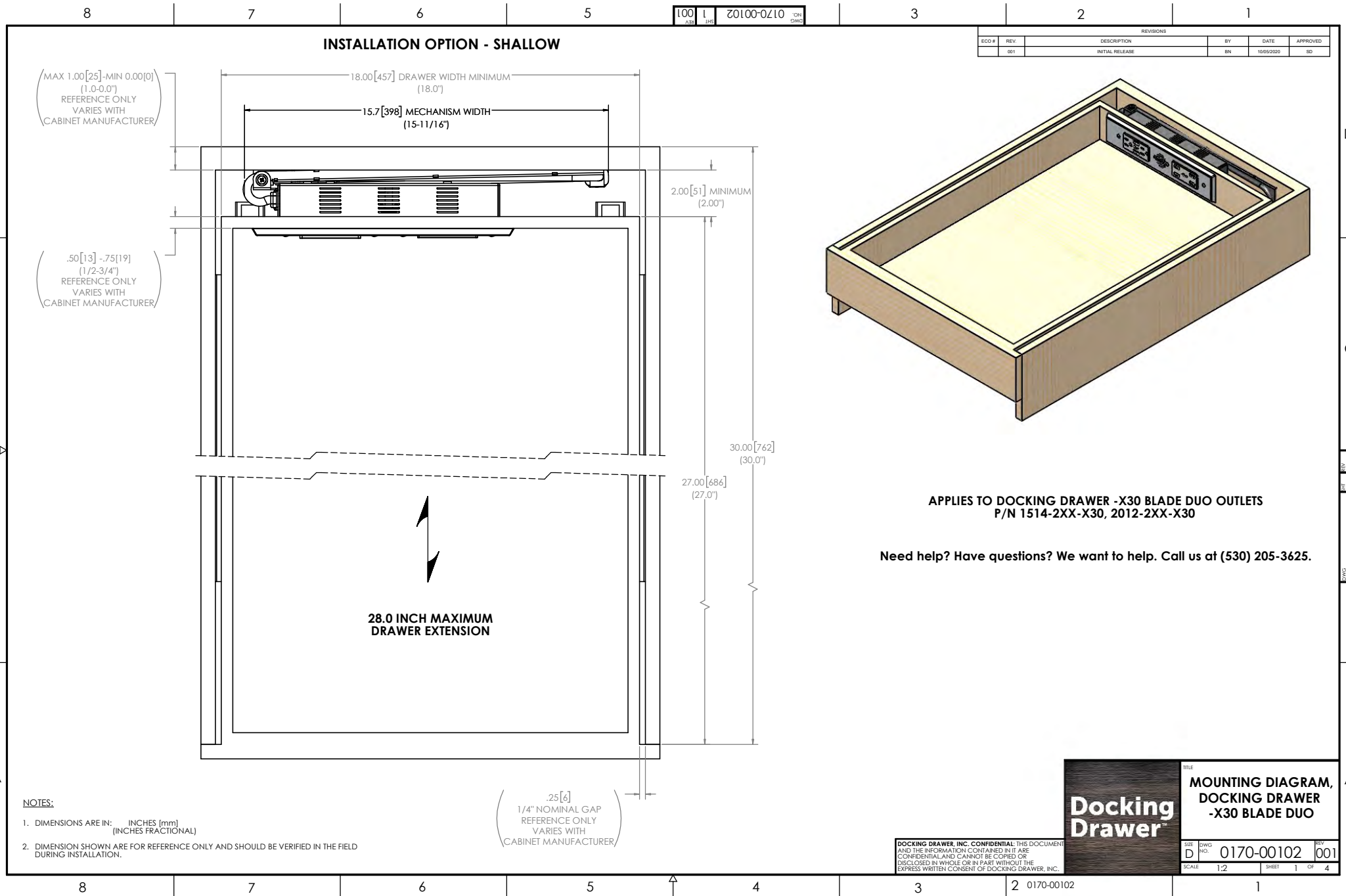
**Docking Drawer**

**MOUNTING DIAGRAM, DOCKING DRAWER BLADE DUO**

SCALE: 1:3 SHEET 1 OF 1

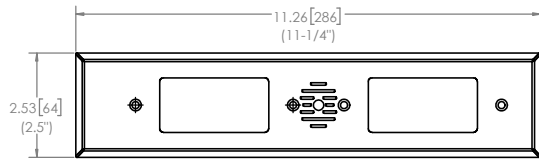
NO. 0170-00133 REV 001

# Blade Duo X30 for Shallow Drawers

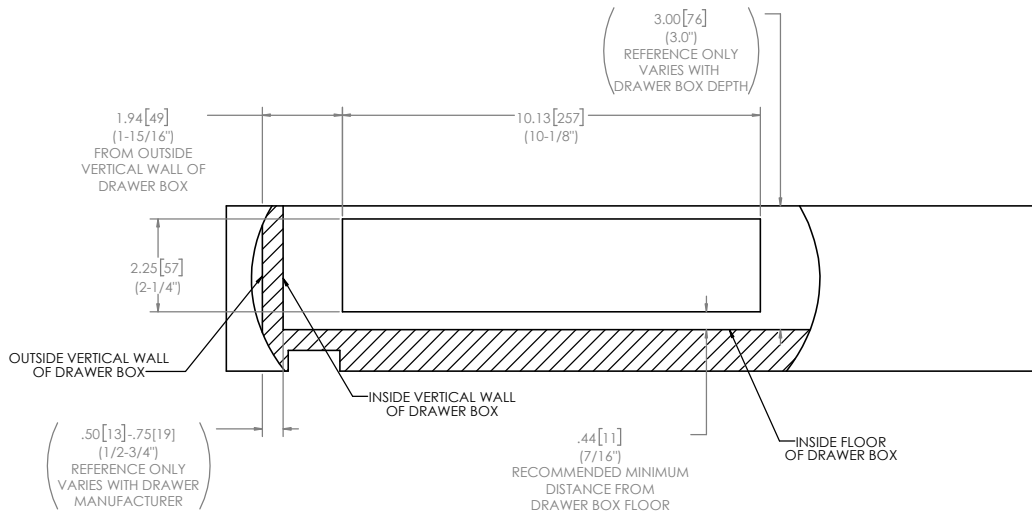
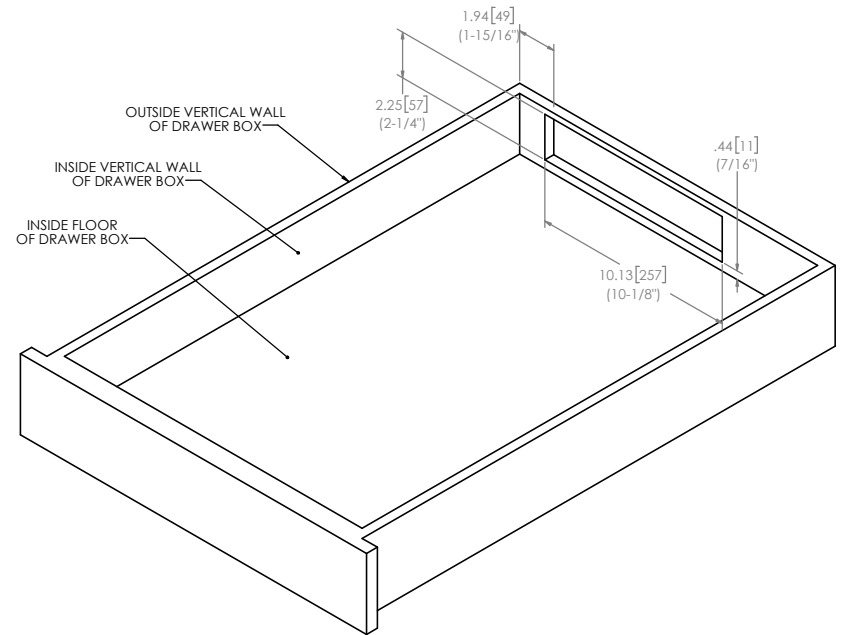


# Blade Duo X30 for Shallow Drawers

100 2 20100-0210 OR DWG



**OUTLET COVER PLATE DIMENSIONS**



**INSTALLATION OPTION - SHALLOW**

**RECEPTACLE BOX CUTOUT LOCATION  
(VIEW FROM FRONT FACE OF DRAWER)**

**NOTES:**

1. DIMENSIONS ARE IN: INCHES [mm]  
[INCHES FRACTIONAL]
2. DIMENSION SHOWN ARE FOR REFERENCE ONLY AND SHOULD BE VERIFIED IN THE FIELD DURING INSTALLATION.

DOCKING DRAWER, INC. CONFIDENTIAL THIS DOCUMENT AND THE INFORMATION CONTAINED IN IT ARE CONFIDENTIAL AND CANNOT BE COPIED OR DISCLOSED IN WHOLE OR IN PART WITHOUT THE EXPRESS WRITTEN CONSENT OF DOCKING DRAWER, INC.		SCALE	1:2	SHEET	2	OF	4
SIZE	DWG NO.	0170-00102		REV	001		

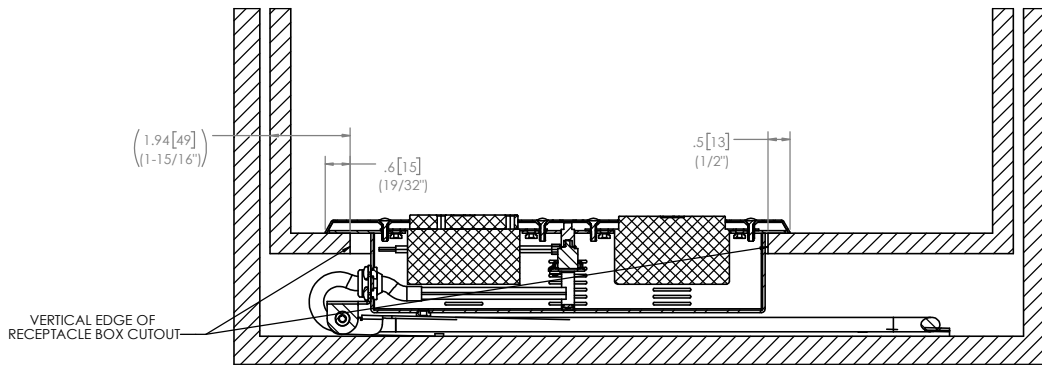
REV 2 0170-00102 DWG

# Blade Duo X30 for Shallow Drawers

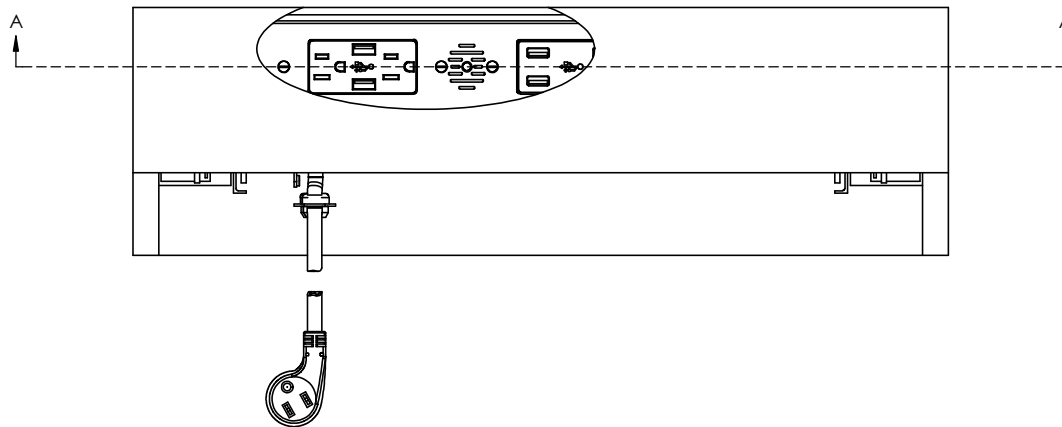
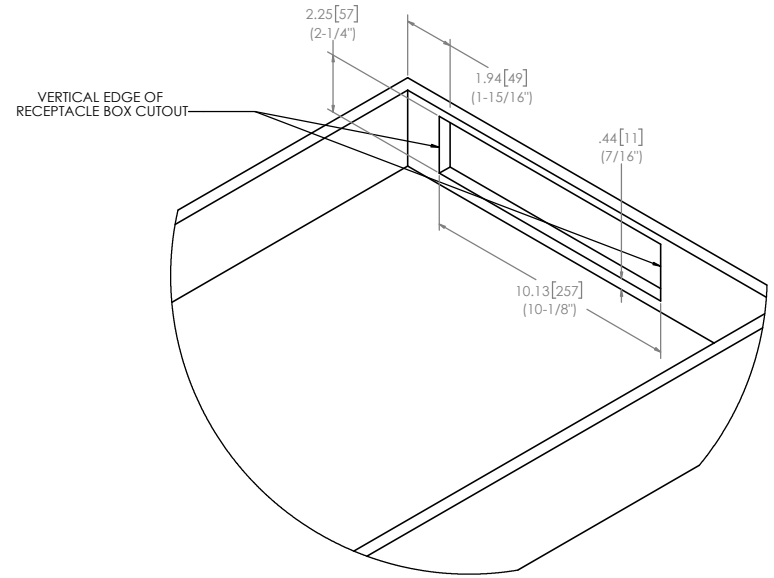
8 | 7 | 6 | 5 | 4 | 3 | 2 | 1

100 3 20100-0210 0170-00102 3 OF 4

## INSTALLATION OPTION - SHALLOW



SECTION A-A  
SCALE 1 : 1.5



JTECH SOLUTIONS, INC. CONFIDENTIAL: THIS DOCUMENT AND THE INFORMATION CONTAINED IN IT ARE CONFIDENTIAL AND CANNOT BE COPIED OR DISCLOSED IN WHOLE OR IN PART WITHOUT THE EXPRESS WRITTEN CONSENT OF JTECH SOLUTIONS, INC.

SIZE	DWG. NO.	REV.
D	0170-00102	001
SCALE	SHEET	OF
1:4	3	4

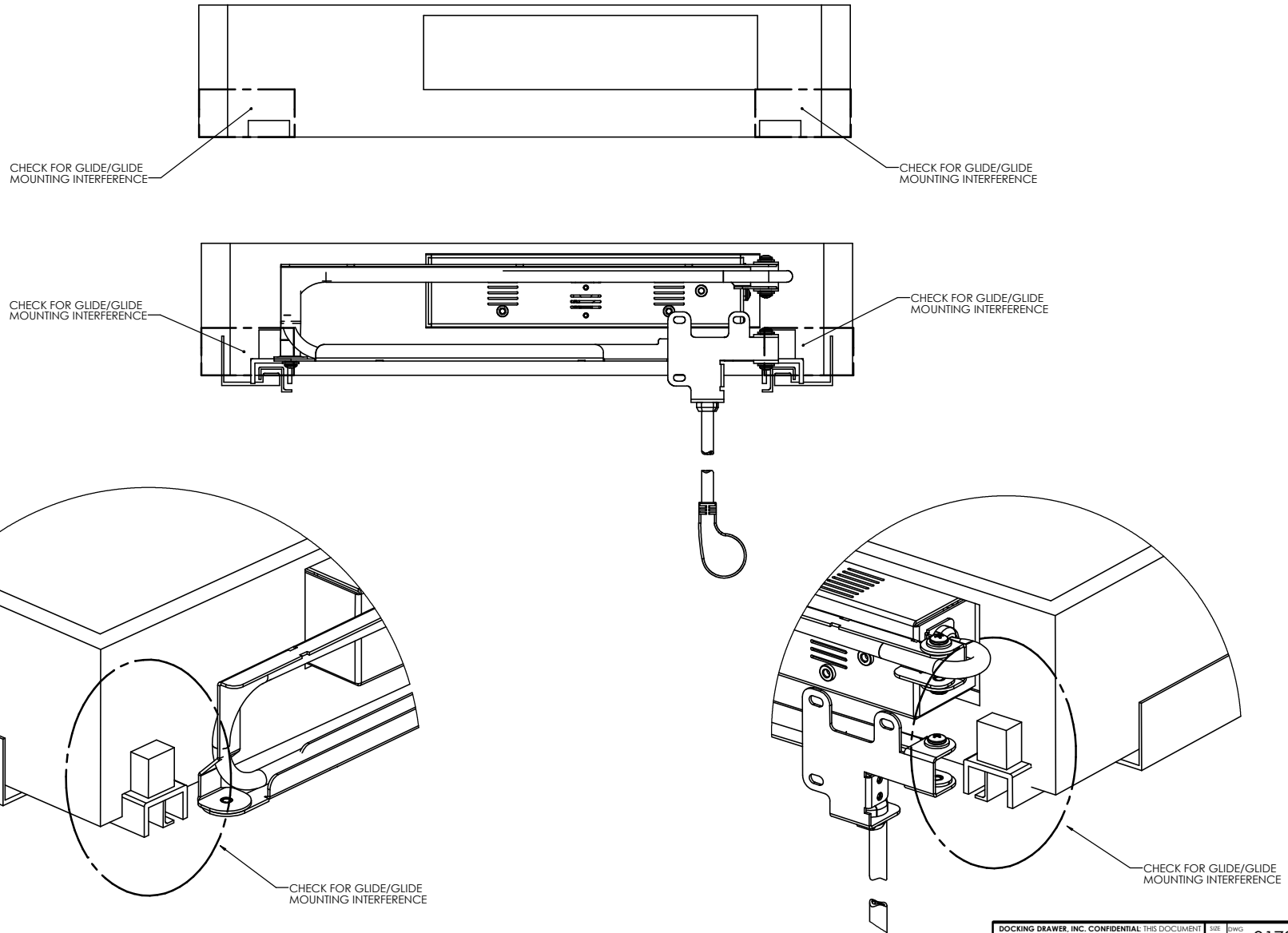
8 | 7 | 6 | 5 | 4 | 3 | 2 | 1

# Blade Duo X30 for Shallow Drawers

8 | 7 | 6 | 5 | 4 | 3 | 2 | 1

100 # 20100-0210 OR  
A33 RHS DWS

## INSTALLATION OPTION - SHALLOW

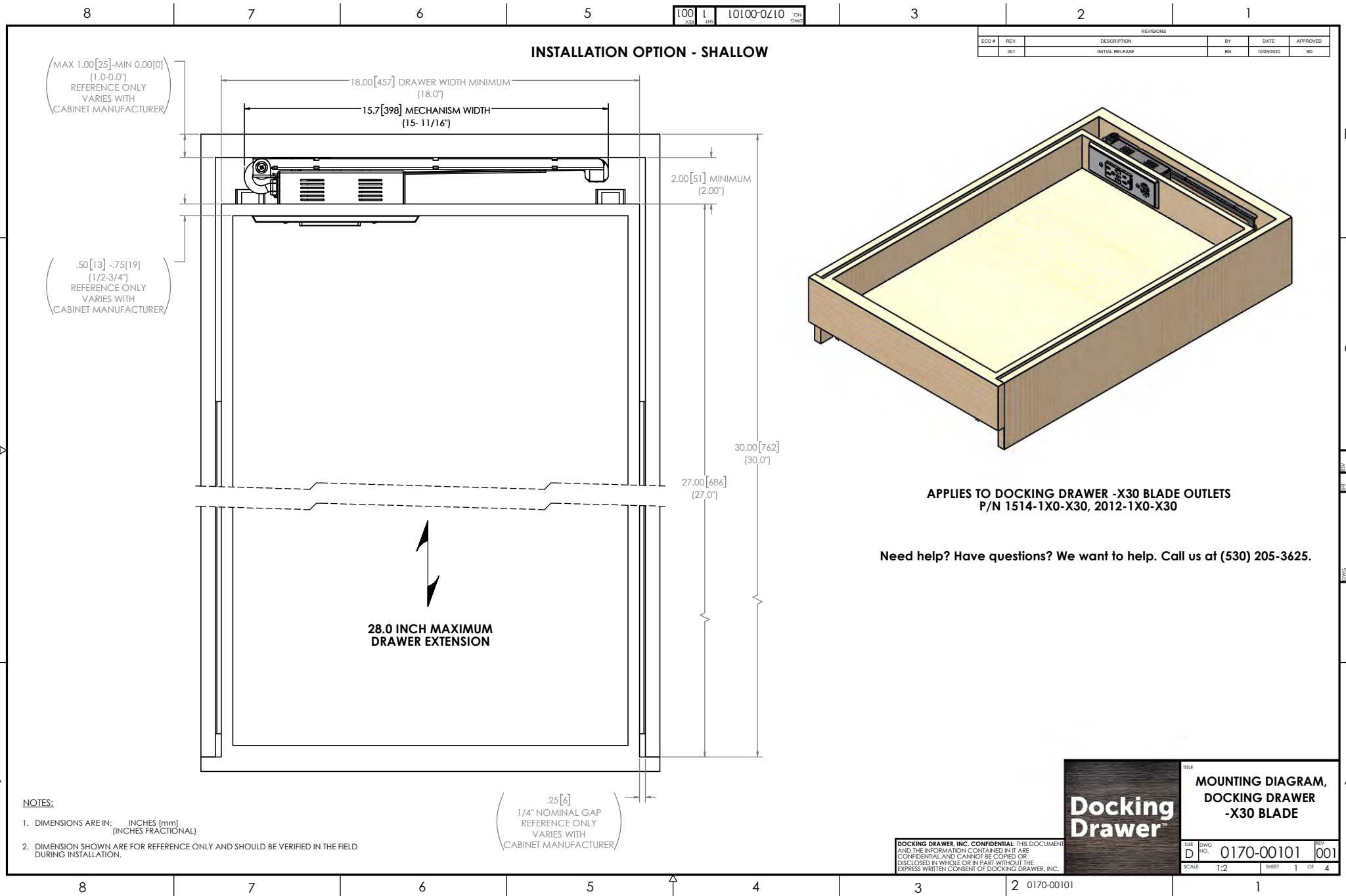


DOCKING DRAWER, INC. CONFIDENTIAL THIS DOCUMENT AND THE INFORMATION CONTAINED IN IT ARE CONFIDENTIAL AND CANNOT BE COPIED OR DISCLOSED IN WHOLE OR IN PART WITHOUT THE EXPRESS WRITTEN CONSENT OF DOCKING DRAWER, INC.

SIZE	DWG NO.	REV
D	0170-00102	001
SCALE	SHEET	OF
2:3	4	4

8 | 7 | 6 | 5 | 4 | 3 | 2 | 1

# Blade X30 for Shallow Drawers



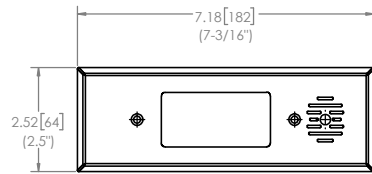
**MOUNTING DIAGRAM,  
DOCKING DRAWER  
-X30 BLADE**

SCALE: 1:2 SHEET 1 OF 4

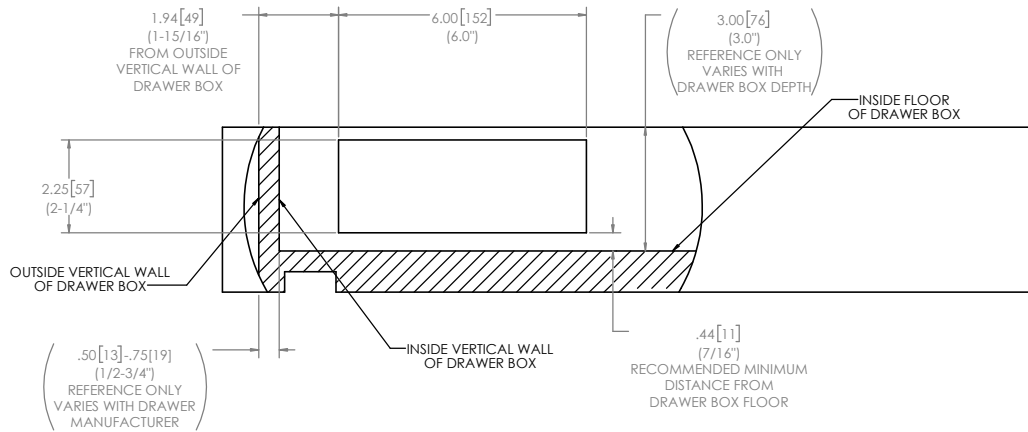
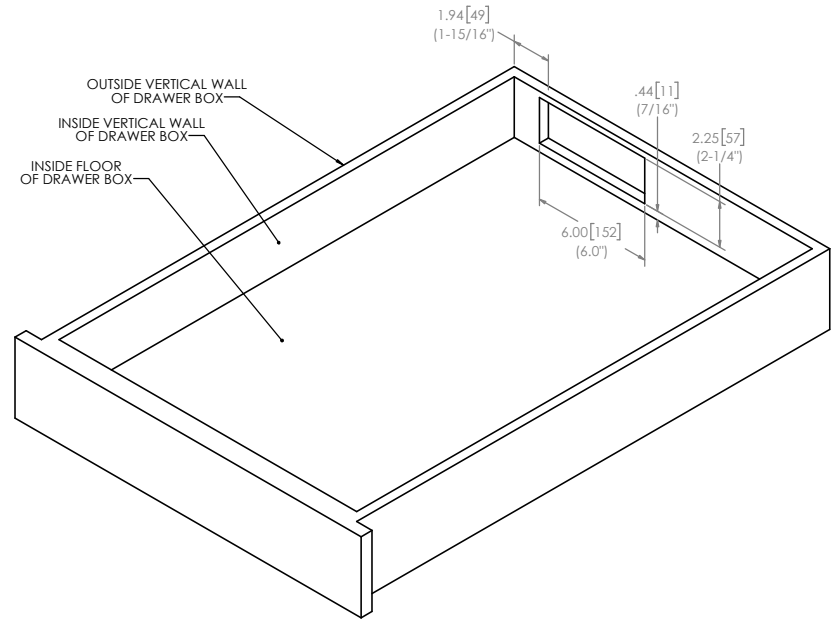
DOCKING DRAWER, INC. CONFIDENTIAL-THIS DOCUMENT AND THE INFORMATION CONTAINED IN IT ARE CONFIDENTIAL AND CANNOT BE COPIED OR DISCLOSED IN WHOLE OR IN PART WITHOUT THE EXPRESS WRITTEN CONSENT OF DOCKING DRAWER, INC.

SIZE	DWG NO.	REV
D	0170-00101	001

# Blade X30 for Shallow Drawers



**OUTLET COVER PLATE DIMENSIONS**



**INSTALLATION OPTION - SHALLOW**

**RECEPTACLE BOX CUTOUT LOCATION  
(VIEW FROM FRONT FACE OF DRAWER)**

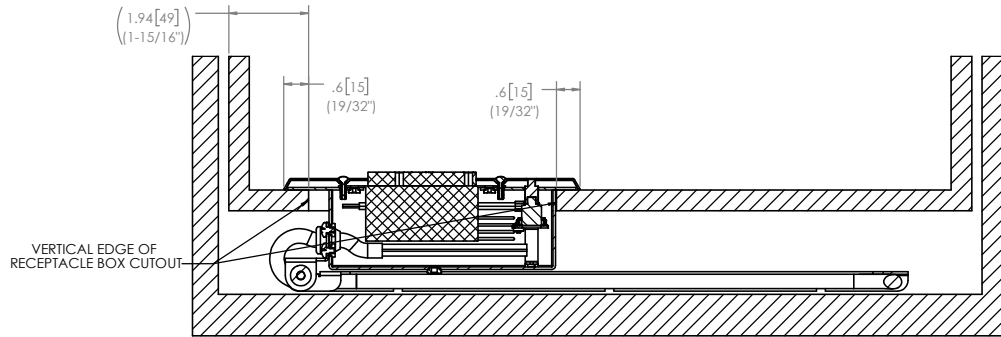
**NOTES:**

1. DIMENSIONS ARE IN: INCHES [mm]  
[INCHES FRACTIONAL]
2. DIMENSION SHOWN ARE FOR REFERENCE ONLY AND SHOULD BE VERIFIED IN THE FIELD DURING INSTALLATION.

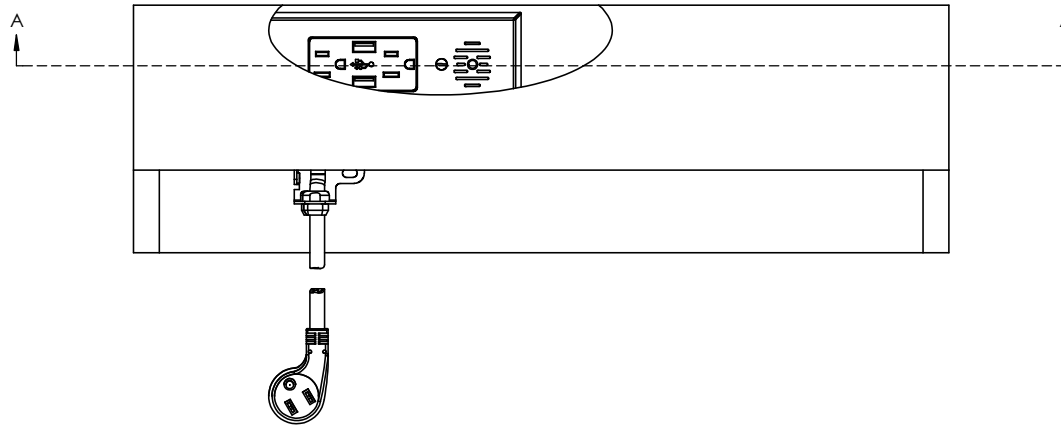
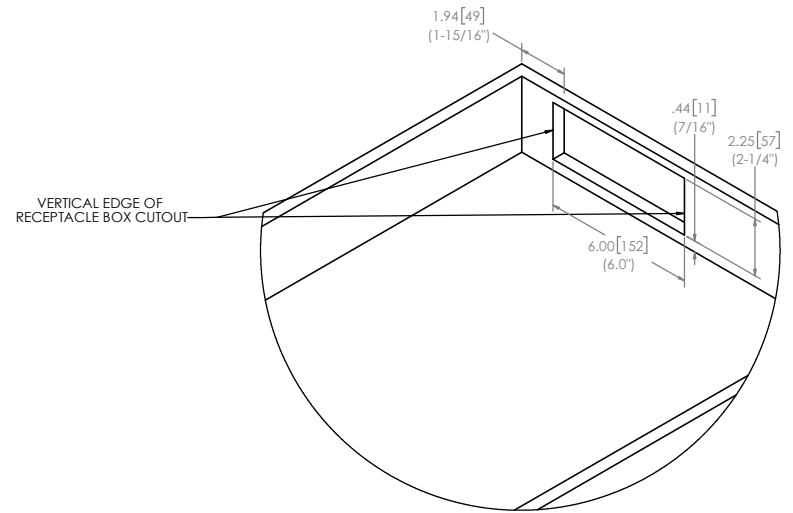
DOCKING DRAWER, INC. CONFIDENTIAL THIS DOCUMENT AND THE INFORMATION CONTAINED IN IT ARE CONFIDENTIAL AND CANNOT BE COPIED OR DISCLOSED IN WHOLE OR IN PART WITHOUT THE EXPRESS WRITTEN CONSENT OF DOCKING DRAWER, INC.		SIZE: D	DWG NO: 0170-00101	REV: 001
		SCALE: 1:2	SHEET: 2	OF: 4

# Blade X30 for Shallow Drawers

## INSTALLATION OPTION - SHALLOW



SECTION A-A  
SCALE 1 : 1.5



JTECH SOLUTIONS, INC. CONFIDENTIAL-THIS DOCUMENT AND THE INFORMATION CONTAINED IN IT ARE CONFIDENTIAL AND CANNOT BE COPIED OR DISCLOSED IN WHOLE OR IN PART WITHOUT THE EXPRESS WRITTEN CONSENT OF JTECH SOLUTIONS, INC.		SIZE: D	DWG. NO.: 0170-00101	REV. NO.: 001
SCALE: 1:4		SHEET: 3		OF: 4

2 0170-00101 1

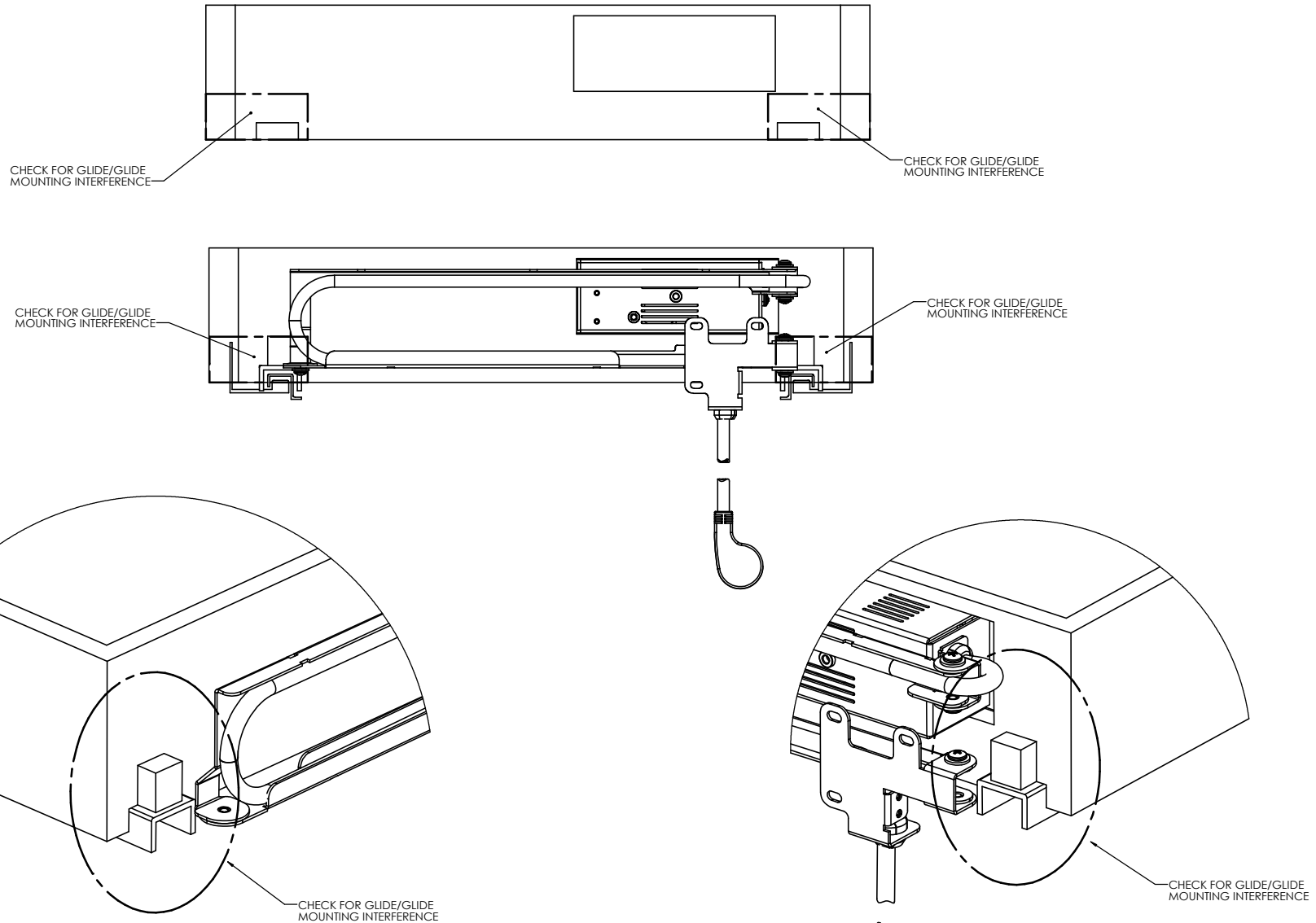


# Blade X30 for Shallow Drawers

8 7 6 5 4 3 2 1

100 7 10100-0210 CR  
A33 JHS DWG

## INSTALLATION OPTION - SHALLOW



DOCKING DRAWER, INC. CONFIDENTIAL THIS DOCUMENT AND THE INFORMATION CONTAINED IN IT ARE CONFIDENTIAL AND CANNOT BE COPIED OR DISCLOSED IN WHOLE OR IN PART WITHOUT THE EXPRESS WRITTEN CONSENT OF DOCKING DRAWER, INC.

SCALE	2:3	SHEET	4	OF	4
DWG NO.	0170-00101	REV	001		

8 7 6 5 4 3 2 1